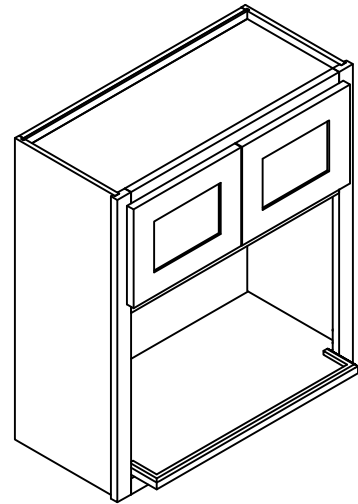


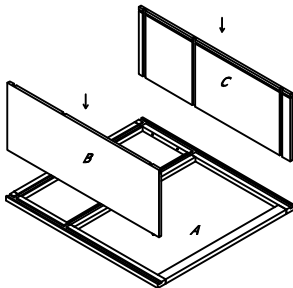
# WM2730~WM2742 2 DOORS

## Step-by-Step Assembly Instructions

CODE	ITEM	QTY
A	FRONT FACE	1SET
B	RIGHT SIDE PANEL	1PC
C	LEFT SIDE PANEL	1PC
D	BOTTOM PANEL	1PC
E	TOP PANEL	2PCS
F	BACK PANEL	1PC
G	DOOR PANEL	2PCS

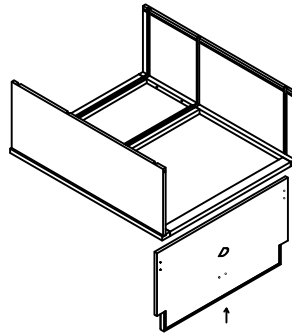


STEP 1



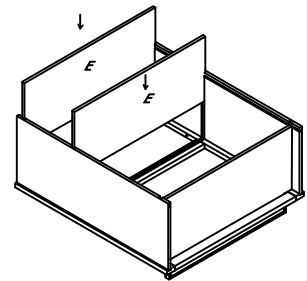
Lay A flat, grooves facing upward  
Insert B & C into metal clips of A

STEP 2



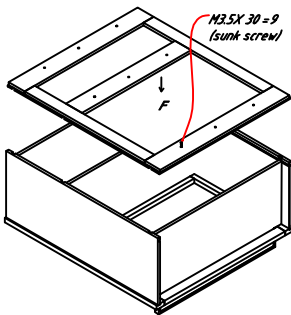
Slide D into grooves A, B, & C

STEP 3



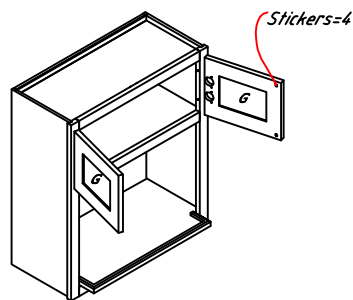
Slide E into grooves A, B, & C

STEP 4

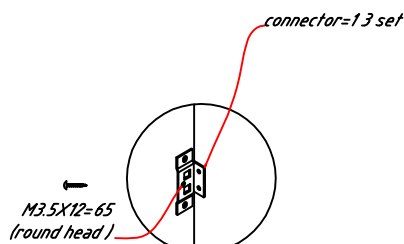
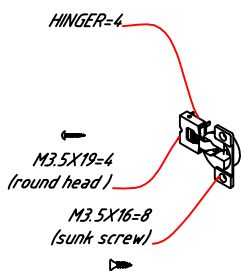


Attach F to the box with screws

STEP 5



Attach G as illustrated  
Attach cushion stickers



W301224 ~ W361224

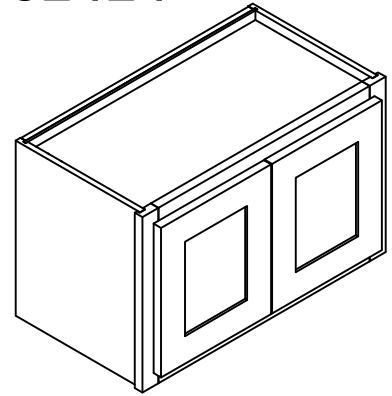
W302124 ~ W362124

W301524 ~ W361524

W302424 ~ W362424

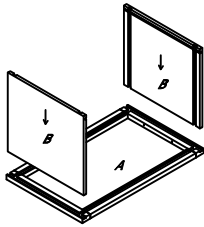
W301824 ~ W361824

### Step-by-Step Assembly Instructions



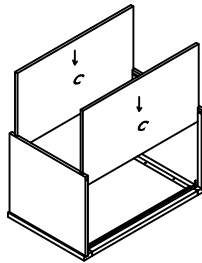
CODE	ITEM	QTY
A	FRONT FACE	1SET
B	L/R SIDE PANEL	2PCS
C	TOP/BOTTOM PANEL	2PCS
D	BACK PANEL	1PC
E	DOOR PANEL	2PCS

STEP 1



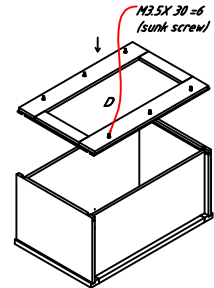
Lay A flat, grooves facing upward  
Insert B into metal clips of A

STEP 2



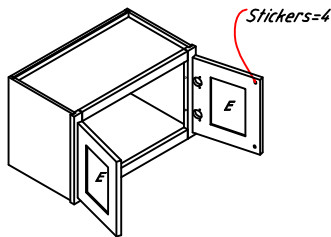
Slide C into grooves of A & B

STEP 3

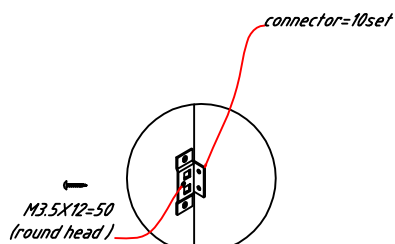
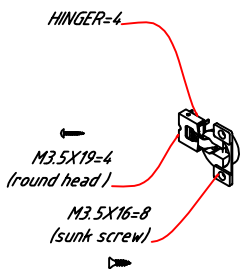


Attach D to the box with screws

STEP 4



Attach F as illustrated  
Attach cushion stickers



W3012 ~ W3612 2 DOORS

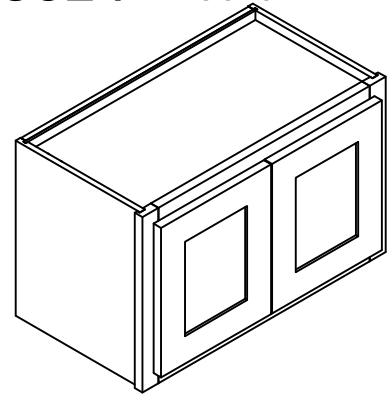
W3015 ~ W3615 2 DOORS

W3018 ~ W3618 2 DOORS

W3021 ~ W3621 2 DOORS

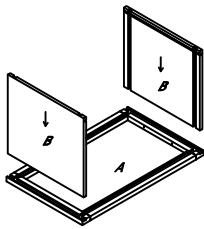
W3024 ~ W3624 2 DOORS

Step-by-Step Assembly Instructions



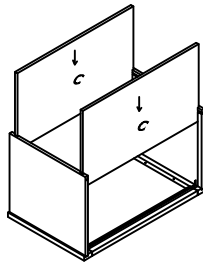
CODE	ITEM	QTY
A	FRONT FACE	1SET
B	L/R SIDE PANEL	2PCS
C	TOP/BOTTOM PANEL	2PCS
D	BACK PANEL	1PC
E	DOOR PANEL	2PCS

STEP 1



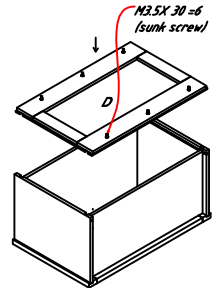
Lay A flat, grooves facing upward  
Insert B into metal clips of A

STEP 2



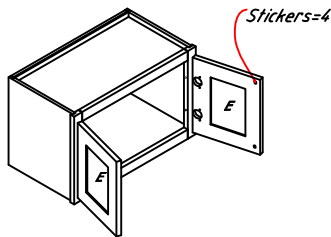
Slide C into grooves of A & B

STEP 3

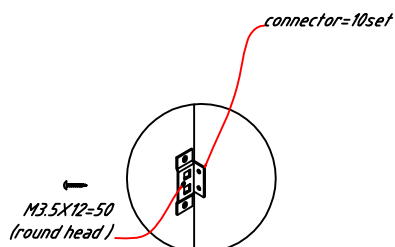
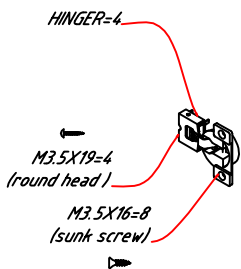


Attach D to the box with screws

STEP 4



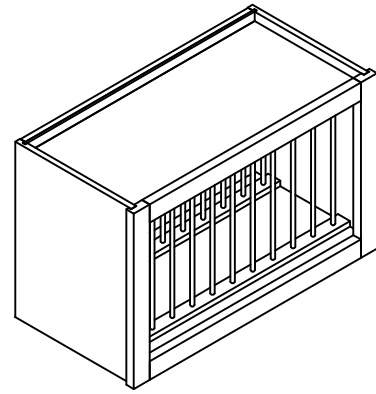
Attach F as illustrated  
Attach cushion stickers



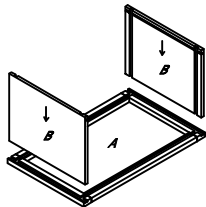
# PR3015

## Step-by-Step Assembly Instructions

CODE	ITEM	QTY
A	FRONT FACE	1SET
B	L/R SIDE PANEL	2PCS
C	TOP/BOTTOM PANEL	2PCS
D	PLATE RACK	2PCS
E	BACK PANEL	1PC

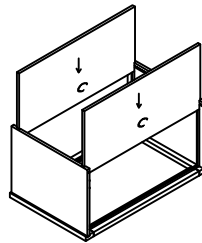


STEP 1



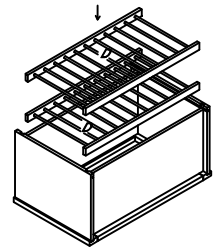
Lay A flat, grooves facing upward  
Insert B into metal clips of A

STEP 2



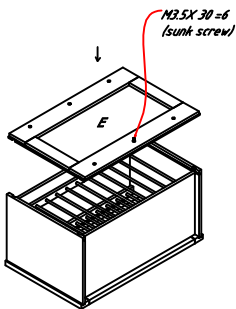
Slide C into grooves of A & B

STEP 3

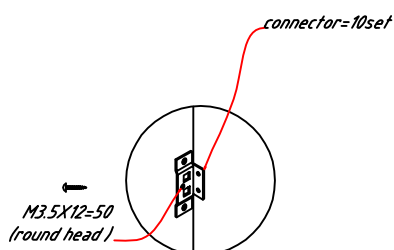


Insert D into the box

STEP 4



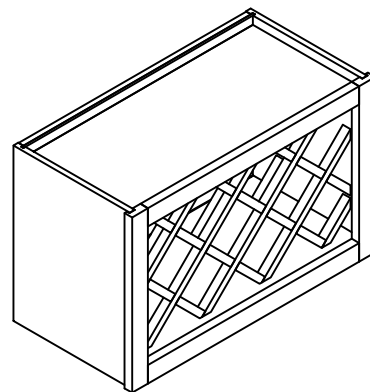
Attach E to the box with screws



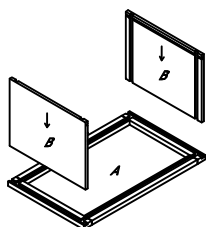
# WR3015

## Step-by-Step Assembly Instructions

CODE	ITEM	QTY
A	FRONT FACE	1SET
B	L/R SIDE PANEL	2PCS
C	TOP/BOTTOM PANEL	2PCS
D	GRID RACK	2PCS
E	BACK PANEL	1PC

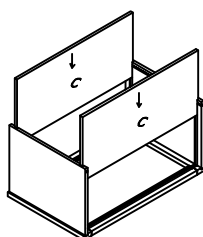


STEP 1



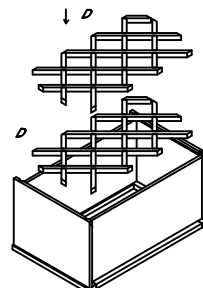
Lay A flat, grooves facing upward  
Insert B into metal clips of A

STEP 2



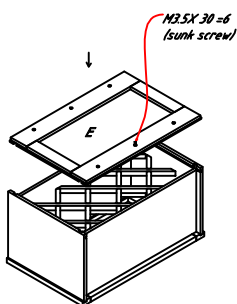
Slide C into grooves of A & B

STEP 3

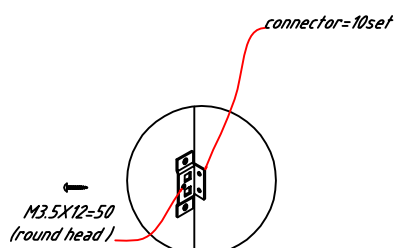


Insert D into the box

STEP 4



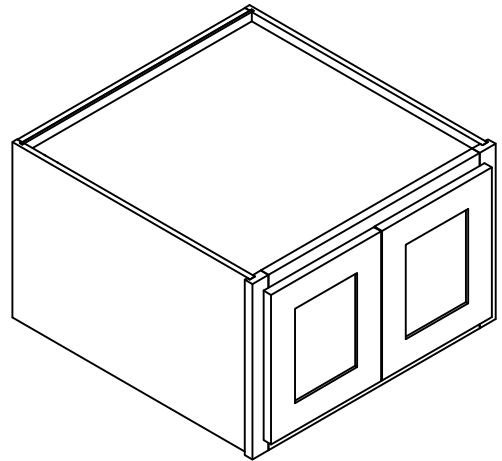
Attach E to the box with screws



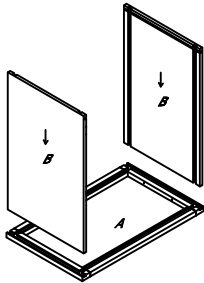
# W3 61224 ~W3624 24 2 DOORS

## Step-by-Step Assembly Instructions

CODE	ITEM	QTY
A	FRONT FACE	1SET
B	L/R SIDE PANEL	2PCS
C	TOP/BOTTOM PANEL	2PCS
D	BACK PANEL	1PC
E	DOOR PANEL	2PCS

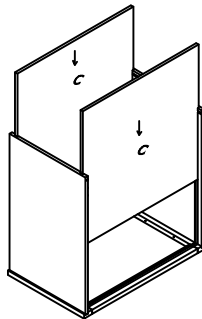


STEP 1



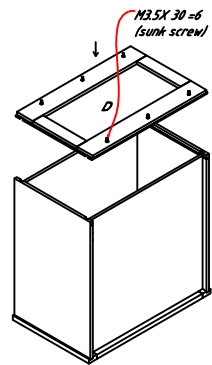
Lay A flat, grooves facing upward  
Insert B into metal clips of A

STEP 2



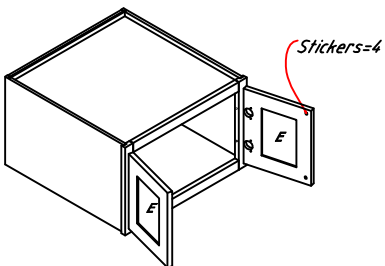
Slide C into grooves of A & B

STEP 3

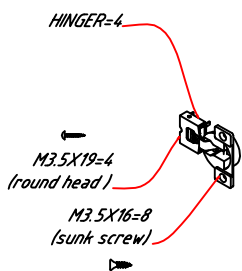


Attach D to the box with screws

STEP 4



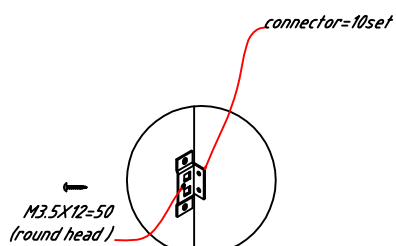
Attach F as illustrated  
Attach cushion stickers



HINGER=4

M3.5X19-4  
(round head)

M3.5X16-8  
(sunk screw)

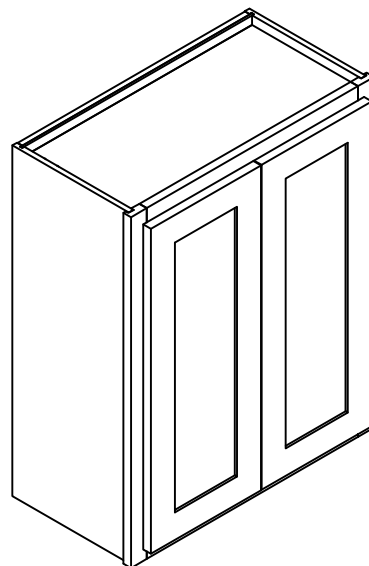


connector=10set

M3.5X12-50  
(round head)

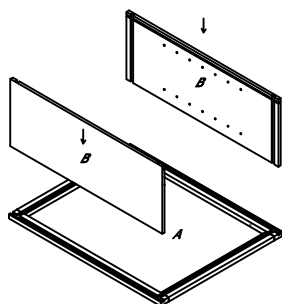
# W2442~W3642 2 DOORS

## Step-by-Step Assembly Instructions



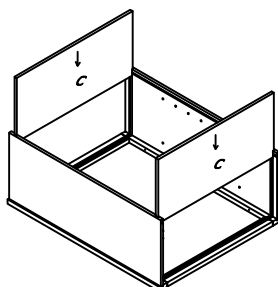
CODE	ITEM	QTY
A	FRONT FACE	1SET
B	L/R SIDE PANEL	2PCS
C	TOP/BOTTOM PANEL	2PCS
D	BACK PANEL	1PC
E	ADJUSTABLE SHELF	3PCS
F	DOOR PANEL	2PCS

STEP 1



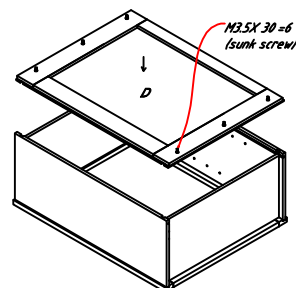
Lay A flat, grooves facing upward  
Insert B into metal clips of A

STEP 2



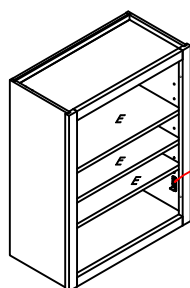
Slide C into grooves of A & B

STEP 3



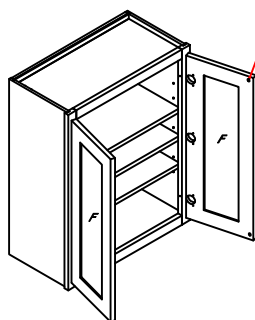
Attach D to the box with screws

STEP 4



Insert the shelf clips then put E in

STEP 5



Attach F as illustrated  
Attach cushion stickers

HINGER=6

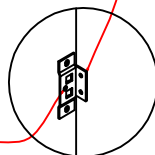
M3.5X19-6  
(round head)

M3.5X16-12  
(sunk screw)



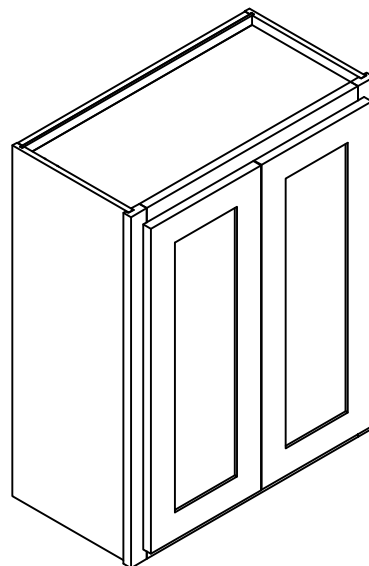
connector=12 set

M3.5X12-6 0  
(round head)



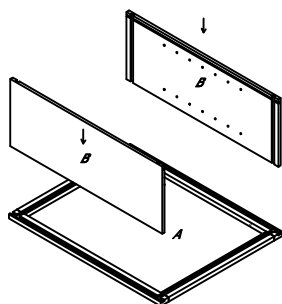
# W2430~W3636 2 DOORS

## Step-by-Step Assembly Instructions



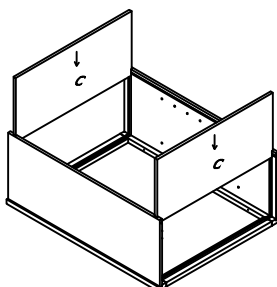
CODE	ITEM	QTY
A	FRONT FACE	1SET
B	L/R SIDE PANEL	2PCS
C	TOP/BOTTOM PANEL	2PCS
D	BACK PANEL	1PC
E	ADJUSTABLE SHELF	2PCS
F	DOOR PANEL	2PCS

STEP 1



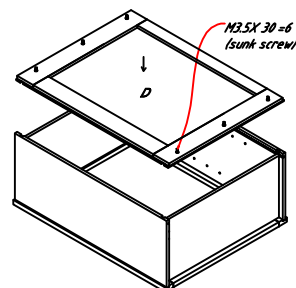
Lay A flat, grooves facing upward  
Insert B into metal clips of A

STEP 2



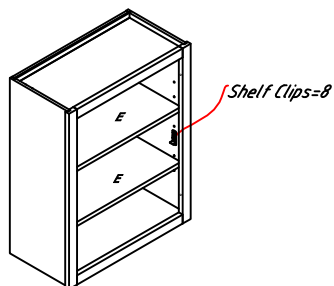
Slide C into grooves of A & B

STEP 3



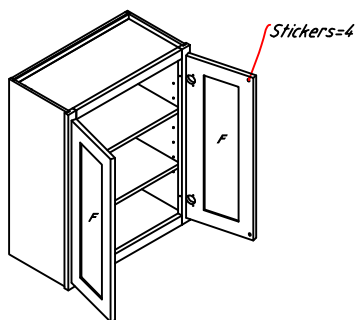
Attach D to the box with screws

STEP 4



Insert the shelf clips then put E in

STEP 5



Attach F as illustrated  
Attach cushion stickers

HINGER=3

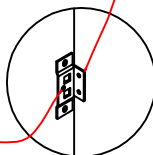
M3.5X19-3  
(round head)

M3.5X16-6  
(sunk screw)



connector=10set

M3.5X12-50  
(round head)

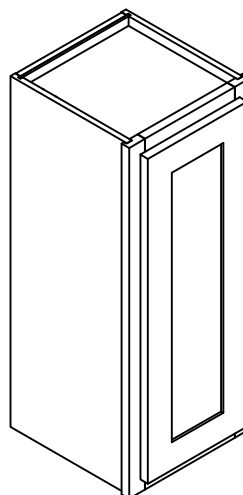




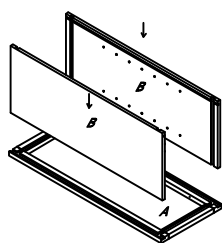
# W0942~W2142 1 DOOR

## Step-by-Step Assembly Instructions

CODE	ITEM	QTY
A	FRONT FACE	1SET
B	L/R SIDE PANEL	2PCS
C	TOP/BOTTOM PANEL	2PCS
D	BACK PANEL	1PC
E	ADJUSTABLE SHELF	3PCS
F	DOOR PANEL	1PC

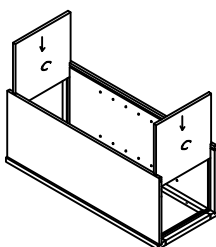


STEP 1



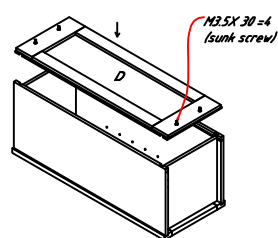
Lay A flat, grooves facing upward  
Insert B into metal clips of A

STEP 2



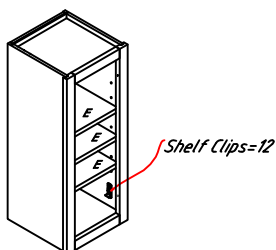
Slide C into grooves of A & B

STEP 3



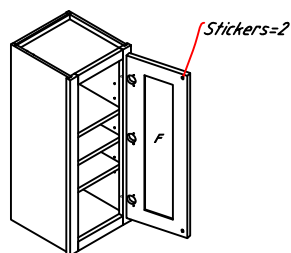
Attach D to the box with screws

STEP 4



Insert the shelf clips then put E in

STEP 5



Attach F as illustrated  
Attach cushion stickers

HINGER=3

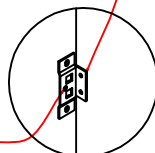
M3.5X19=3  
(round head)

M3.5X16=6  
(sunk screw)



connector=10set

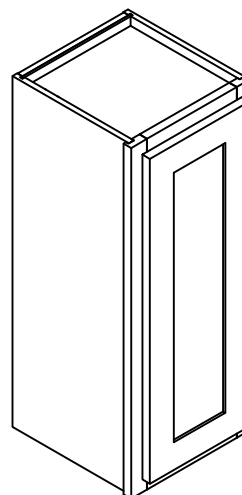
M3.5X12=50  
(round head)



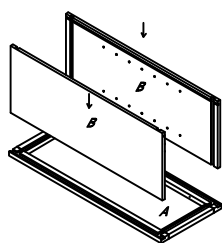
# W0930~W2136 1 DOOR

## Step-by-Step Assembly Instructions

CODE	ITEM	QTY
A	FRONT FACE	1SET
B	L/R SIDE PANEL	2PCS
C	TOP/BOTTOM PANEL	2PCS
D	BACK PANEL	1PC
E	ADJUSTABLE SHELF	2PCS
F	DOOR PANEL	1PC

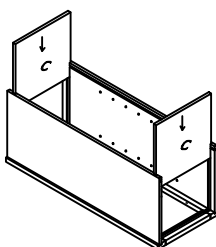


STEP 1



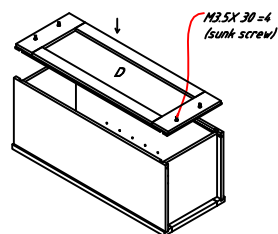
Lay A flat, grooves facing upward  
Insert B into metal clips of A

STEP 2



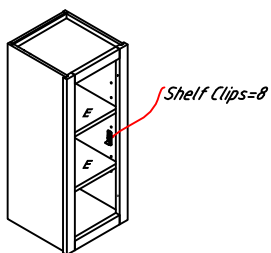
Slide C into grooves of A & B

STEP 3



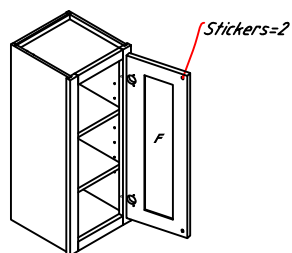
Attach D to the box with screws

STEP 4



Insert the shelf clips then put E in

STEP 5



Attach F as illustrated  
Attach cushion stickers

HINGER=2

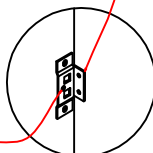
M3.5X19=2  
(round head)

M3.5X16=4  
(sunk screw)



connector=8set

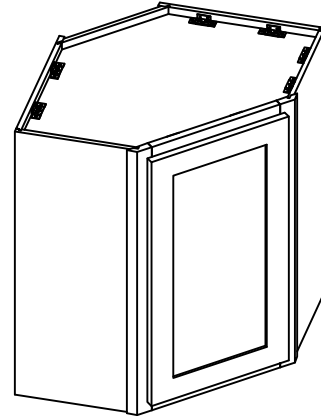
M3.5X12=40  
(round head)



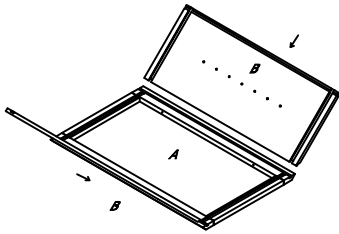
# WDC2442 1 DOOR

## Step-by-Step Assembly Instructions

CODE	ITEM	QTY
A	FRONT FACE	1SET
B	RIGHT SIDE PANEL	1PC
C	LEFT SIDE PANEL	1PC
D	TOP/BOTTOM PANEL	2PCS
E	BACK PANEL	1PC
F	ADJUSTABLE SHELF	3PCS
G	DOOR PANEL	2PCS

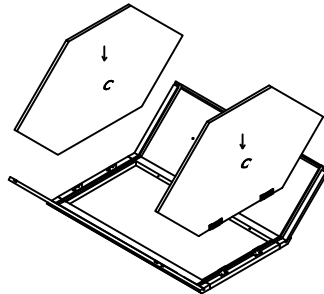


STEP 1



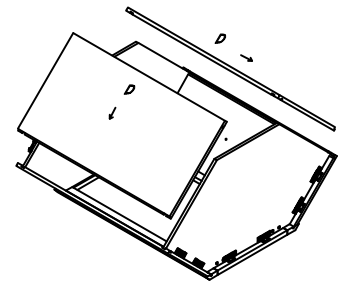
Lay A flat, grooves facing upward  
Insert B into grooves of A and glue it

STEP 2



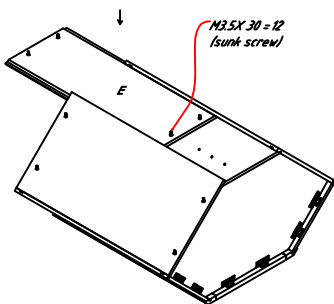
Insert C into grooves of A & B  
Lock it as illustrated

STEP 3



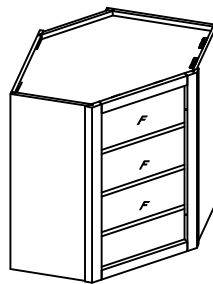
Attach D to B & C

STEP 4



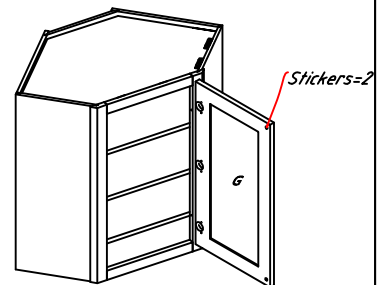
Attach E to C & D with screws  
Lock it as illustrated

STEP 5



Insert the shelf clips then put F in

STEP 6



Attach G as illustrated  
Attach cushion stickers

HINGER=3

Shelf Clips=12

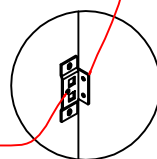
M3.5X19=3  
(round head)

M3.5X16=6  
(sunk screw)



connector=12 set

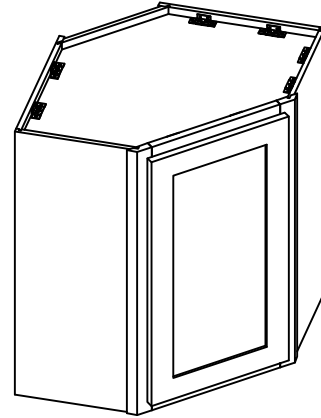
M3.5X12=110  
(round head)



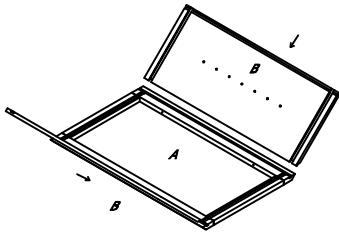
# WDC2430/WDC24 36 1 DOOR

## Step-by-Step Assembly Instructions

CODE	ITEM	QTY
A	FRONT FACE	1SET
B	L/R SIDE PANEL	2PCS
C	TOP/BOTTOM PANEL	2PCS
D	BOTTOM SIDE PANEL	2PCS
E	BACK PANEL	1PC
F	ADJUSTABLE SHELF	2PCS
G	DOOR PANEL	1PC

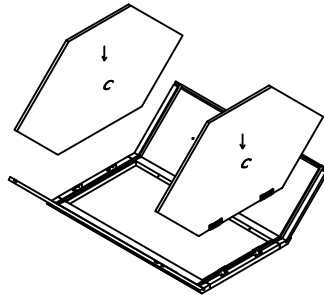


STEP 1



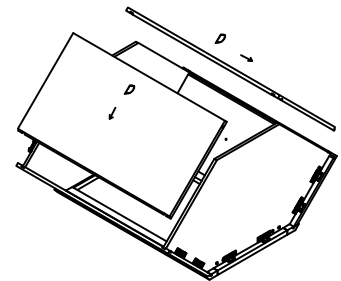
Lay A flat, grooves facing upward  
Insert B into grooves of A and glue it

STEP 2



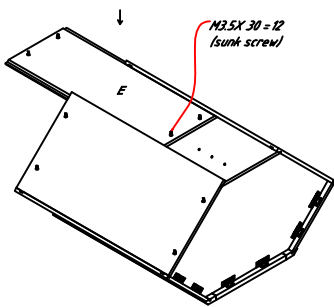
Insert C into grooves of A & B  
Lock it as illustrated

STEP 3



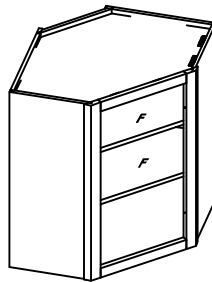
Attach D to B & C

STEP 4



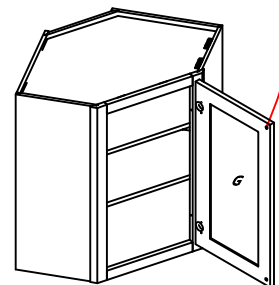
Attach E to C & D with screws  
Lock it as illustrated

STEP 5



Insert the shelf clips then put F in

STEP 6



Attach G as illustrated  
Attach cushion stickers

HINGER=4

Shelf Clips=8

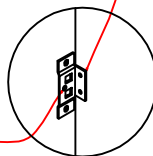
M3.5X19=4  
(round head)

M3.5X16=8  
(sunk screw)



M3.5X12=110  
(round head)

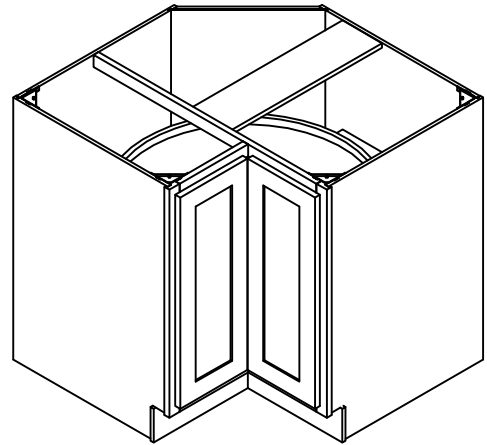
connector=12 set



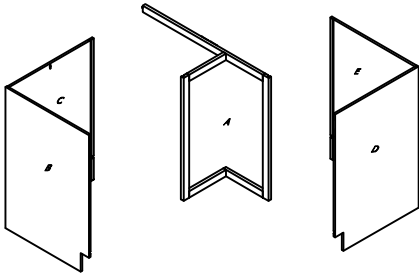
# BLS33/BLS36 2 DOOR

## Step-by-Step Assembly Instructions

CODE	ITEM	QTY
A	FRONT FACE	1SET
B	LEFT SIDE PANEL	1PC
C	LEFT BOTTOM PANEL	1PC
D	RIGHT SIDE PANEL	1PC
E	RIGHT BOTTOM PANEL	1PC
F	LZ BOTTOM	1PC
G	BACK PANEL	1PC
H	TOE KICK PLATE	1SET
I	LZ SHELF	1PC
J	TOP PANEL	1PC
K	DOOR PANEL	2PCS

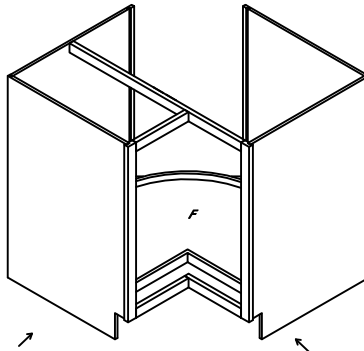


STEP 1



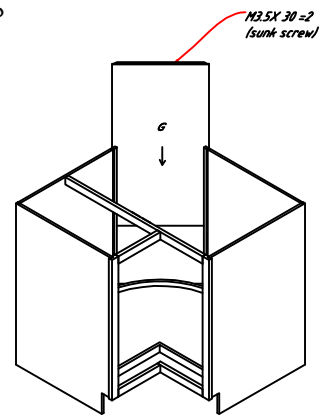
Position A, B, C, D, & E as illustrated

STEP 2



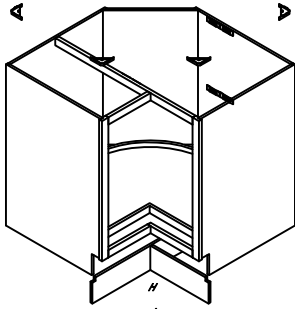
Put F down and attach A, B, C, D, & E

STEP 3



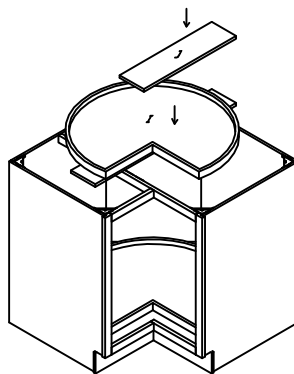
Attach G to C & E with screws

STEP 4



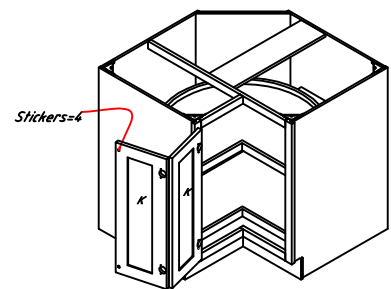
Attach plastic brackets into corners of A, B, C, D, & E with round head screws  
Attach H

STEP 5



Insert I then attach J

STEP 6



Attach K as illustrated  
Attach cushion stickers

HINGER=4

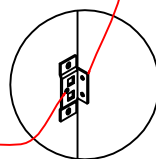
M3.5X19=8  
(round head)

M3.5X16=8  
(sunk screw)



connector=22 set

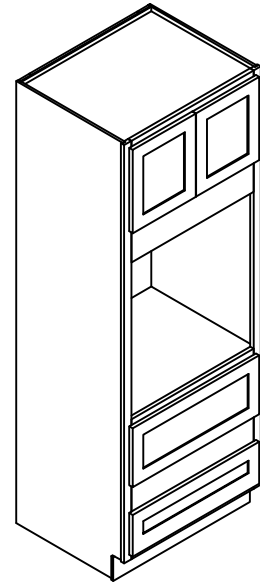
M3.5X12=115  
(round head)



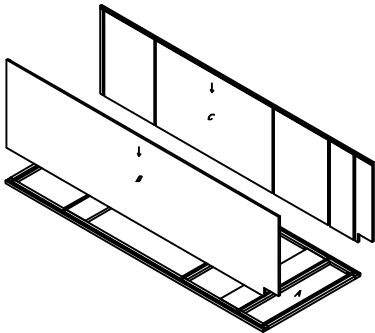
# OV319624 2 DOOR, 2 Drawers

## Step-by-Step Assembly Instructions

CODE	ITEM	QTY
A	FRONT FACE	1SET
B	RIGHT SIDE PANEL	1PC
C	LEFT SIDE PANEL	1PC
D	TOP/BOTTOM PANEL	5PCS
E	BACK PANEL	1PC
F	TOE KICK PLATE	1PC
G	ADJUSTABLE SHELF	2PCS
H	DOOR PANEL	2PCS
J	DRAWER	2SET

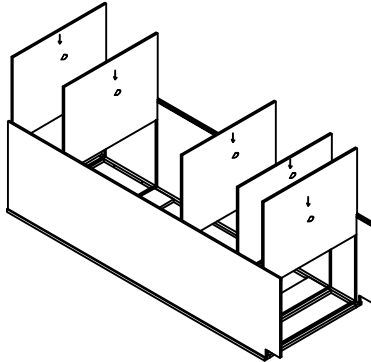


STEP 1



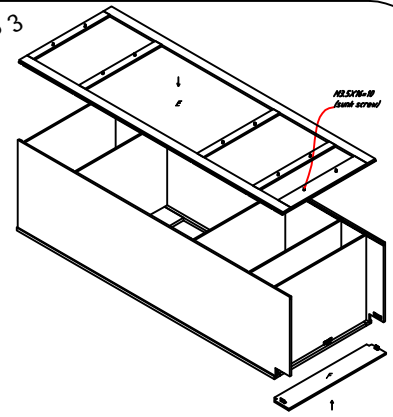
Lay A flat, grooves facing upward  
Insert B & C into metal clips of A

STEP 2



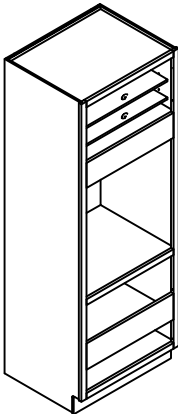
Slide D into grooves of A, B, & C

STEP 3



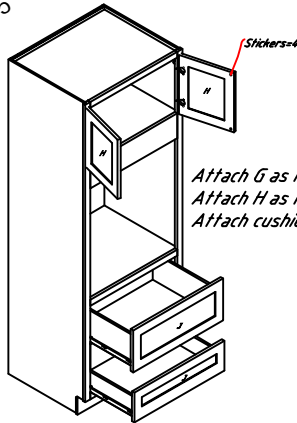
Attach E to the box with screws  
Attach F onto bottom of B & C with metal clips

STEP 4

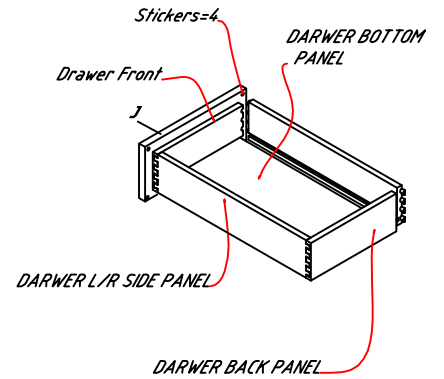


Insert the shelf clips then put G in

STEP 5

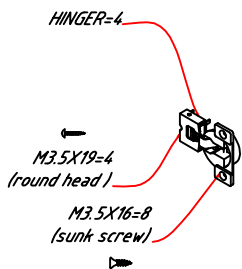


Attach G as illustrated  
Attach H as illustrated  
Attach cushion stickers



DARWER L/R SIDE PANEL

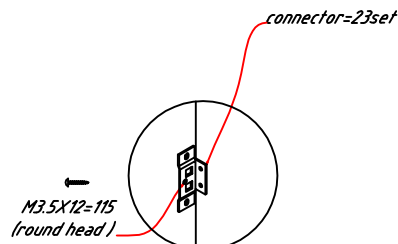
DARWER BACK PANEL



HINGER=4

M3.5X19=4  
(round head)

M3.5X16=8  
(sunk screw)

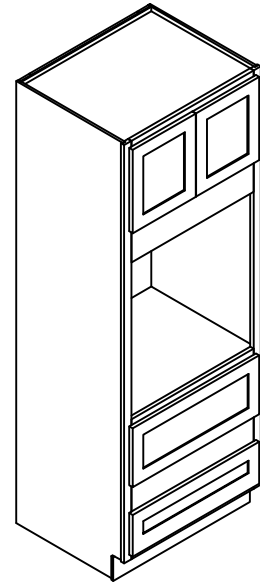


connector=23set

M3.5X12=115  
(round head)

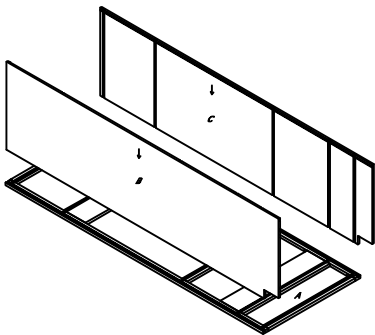
# OV318424/OV319024 2 DOOR S, 2 Drawers

## Step-by-Step Assembly Instructions



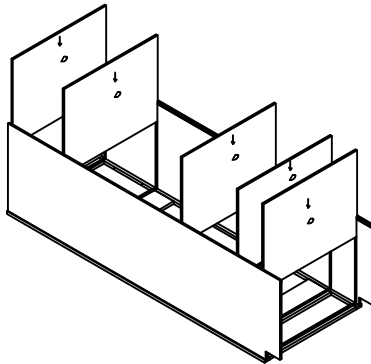
CODE	ITEM	QTY
A	FRONT FACE	1SET
B	RIGHT SIDE PANEL	1PC
C	LEFT SIDE PANEL	1PC
D	TOP/BOTTOM PANEL	5PCS
E	BACK PANEL	1PC
F	TOE KICK PLATE	1PC
G	DOOR PANEL	2PCS
H	DRAWER	2SET

STEP 1



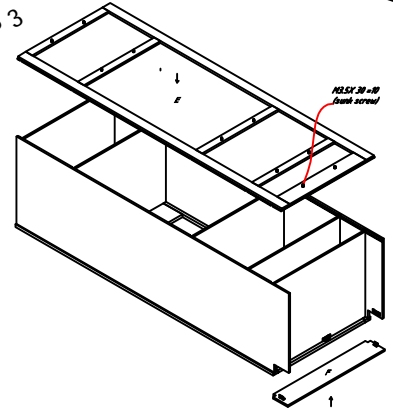
Lay A flat, grooves facing upward  
Insert B & C into metal clips of A

STEP 2



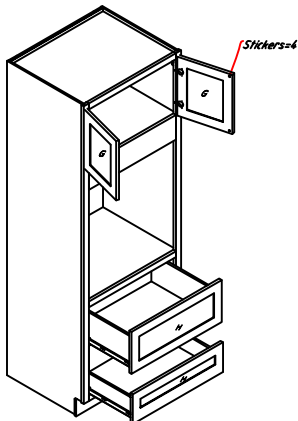
Slide D into grooves of A, B, & C

STEP 3

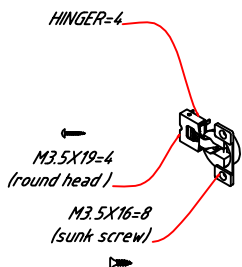
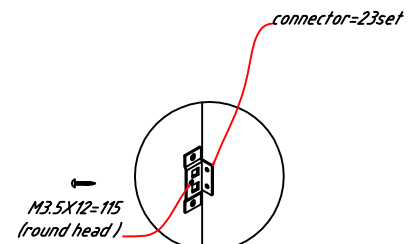
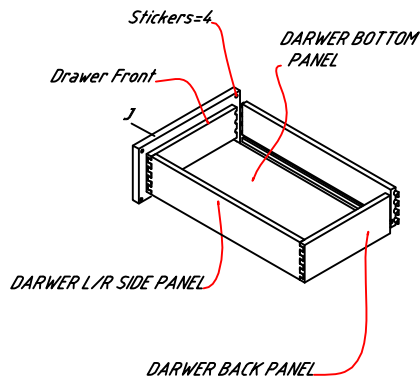


Attach E to the box with screws  
Attach F onto bottom of B & C with metal clips

STEP 4

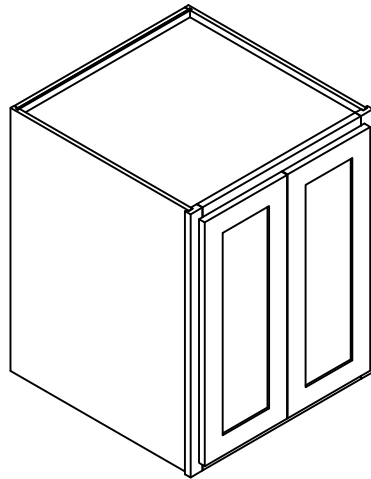


Attach G as illustrated, Attach H as illustrated  
Attach cushion stickers



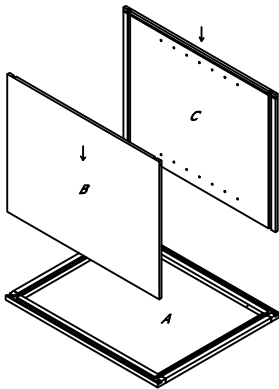
# UT243024~UT363624 2 DOOR

## Step-by-Step Assembly Instructions



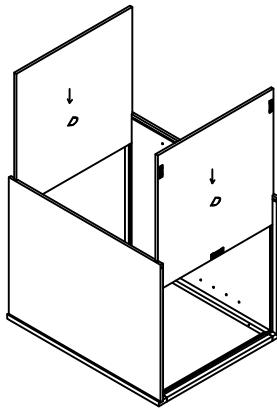
CODE	ITEM	QTY
A	FRONT FACE	1SET
B	RIGHT SIDE PANEL	1PC
C	LEFT SIDE PANEL	1PC
D	TOP/BOTTOM PANEL	2PCS
E	BACK PANEL	1PC
F	ADJUSTABLE SHELF	2PCS
G	DOOR PANEL	2PCS

STEP 1



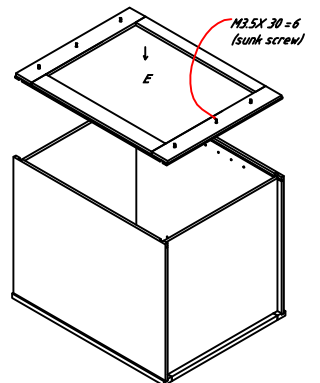
Lay A flat, grooves facing upward  
Insert B & C into metal clips of A

STEP 2



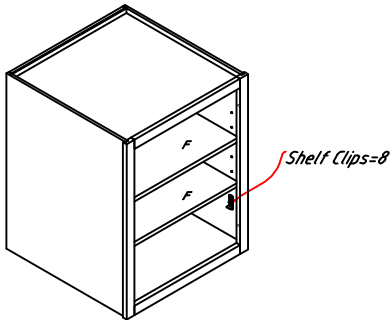
Slide D into grooves of A, B, & C

STEP 3



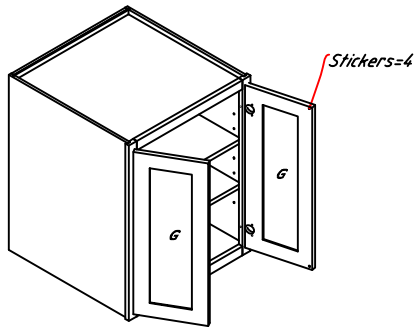
Attach E onto B & C with metal clips  
Attach F onto bottom of B & C with metal clips

STEP 4

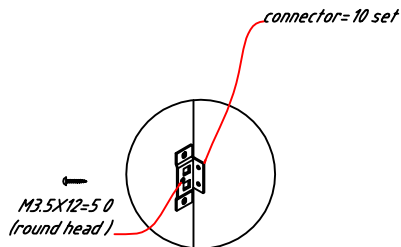
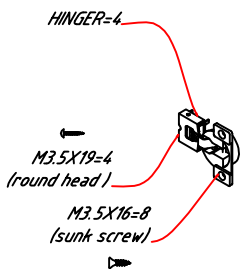


Insert the shelf clips then put G in

STEP 5



Attach H as illustrated  
Attach cushion stickers

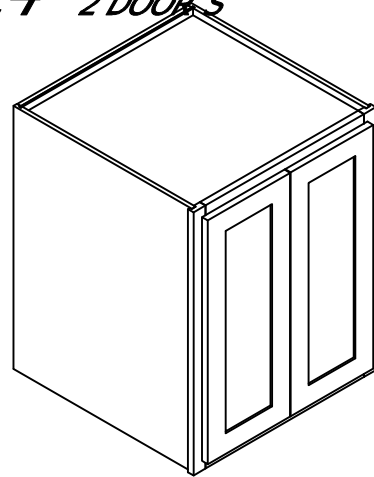




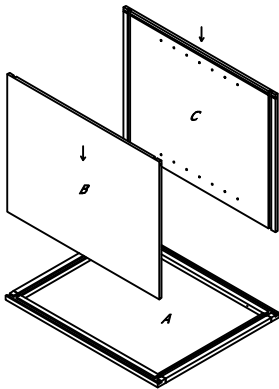
# UT244224/UT304224/ UT 364224 2 DOOR 5

## Step-by-Step Assembly Instructions

CODE	ITEM	QTY
A	FRONT FACE	1SET
B	RIGHT SIDE PANEL	1PC
C	LEFT SIDE PANEL	1PC
D	TOP/BOTTOM PANEL	2PCS
E	BACK PANEL	1PC
F	ADJUSTABLE SHELF	3PCS
G	DOOR PANEL	2PCS

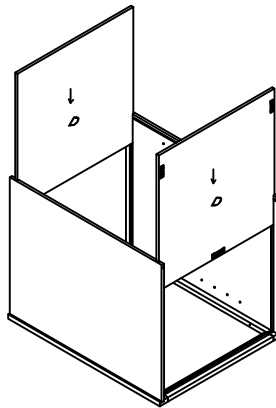


STEP 1



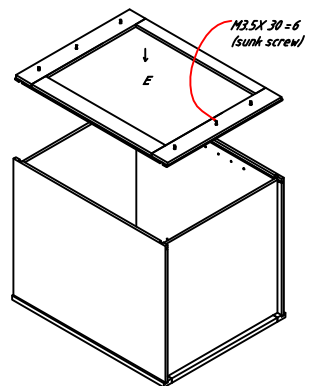
Lay A flat, grooves facing upward  
Insert B & C into metal clips of A

STEP 2



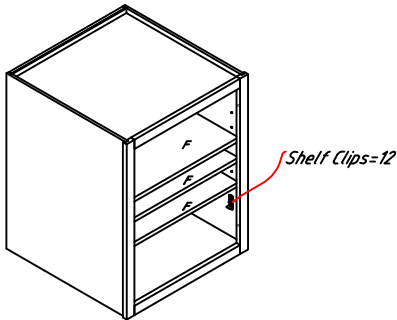
Slide D into grooves of A, B, & C

STEP 3



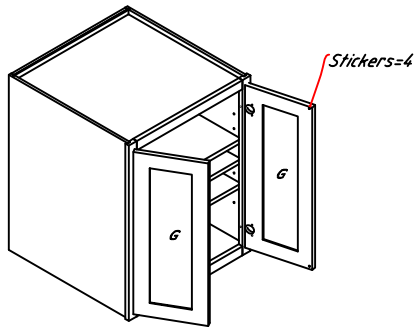
Attach E onto B & C with metal clips  
Attach F onto bottom of B & C with metal clips

STEP 4

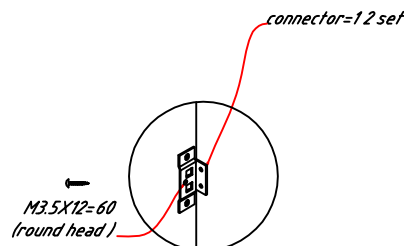
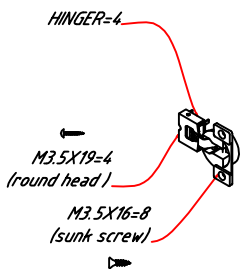


Insert the shelf clips then put G in

STEP 5

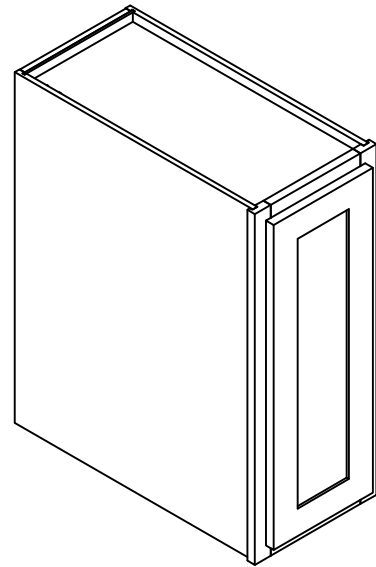


Attach H as illustrated  
Attach cushion stickers



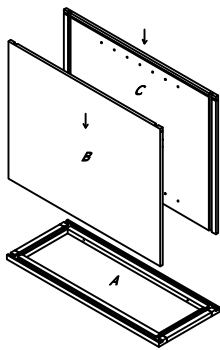
# UT183024/UT183642 1 DOOR

## Step-by-Step Assembly Instructions



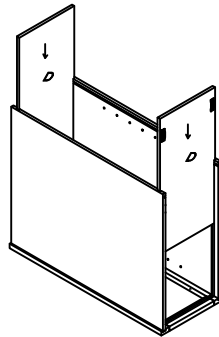
CODE	ITEM	QTY
A	FRONT FACE	1SET
B	RIGHT SIDE PANEL	1PC
C	LEFT SIDE PANEL	1PC
D	TOP/BOTTOM PANEL	2PCS
E	BACK PANEL	1PC
F	ADJUSTABLE SHELF	2PCS
G	DOOR PANEL	1PC

STEP 1



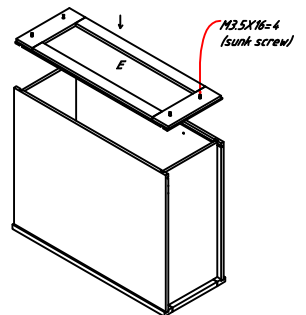
Lay A flat, grooves facing upward  
Insert B & C into metal clips of A

STEP 2



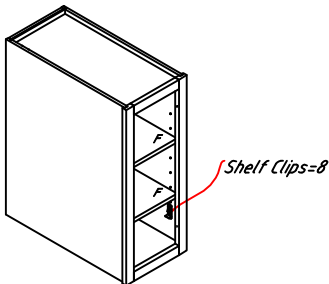
Slide D into grooves of A, B, & C

STEP 3



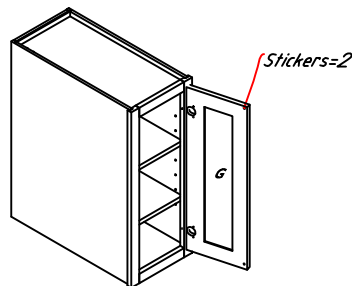
Attach E onto B & C with metal clips  
Attach F onto bottom of B & C with metal clips

STEP 4

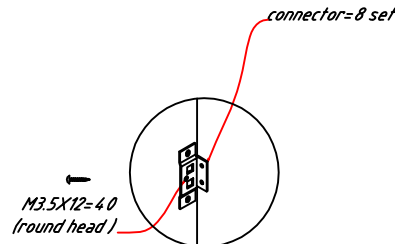
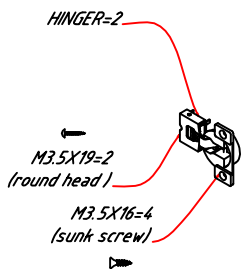


Insert the shelf clips then put G in

STEP 5

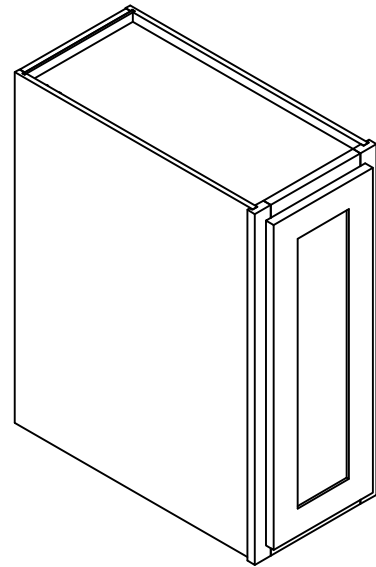


Attach H as illustrated  
Attach cushion stickers



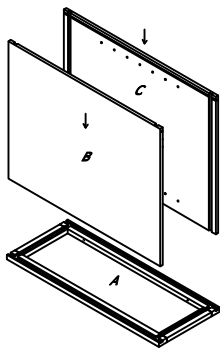
# UT184224 1 DOOR

## Step-by-Step Assembly Instructions



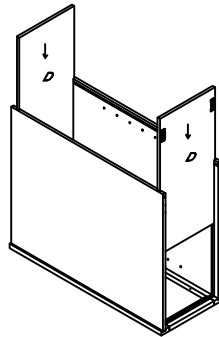
CODE	ITEM	QTY
A	FRONT FACE	1SET
B	RIGHT SIDE PANEL	1PC
C	LEFT SIDE PANEL	1PC
D	TOP/BOTTOM PANEL	2PCS
E	BACK PANEL	1PC
F	ADJUSTABLE SHELF	3PCS
G	DOOR PANEL	1PC

STEP 1



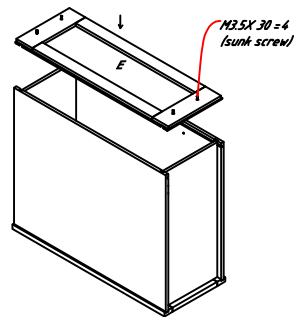
Lay A flat, grooves facing upward  
Insert B & C into metal clips of A

STEP 2



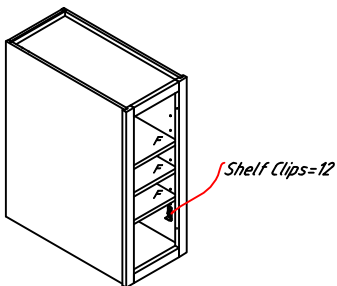
Slide D into grooves of A, B, & C

STEP 3



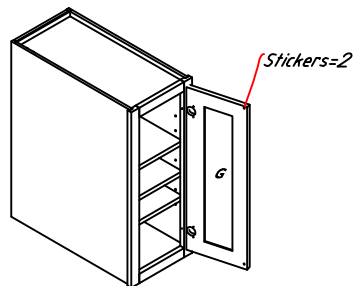
Attach E onto B & C with metal clips  
Attach F onto bottom of B & C with metal clips

STEP 4

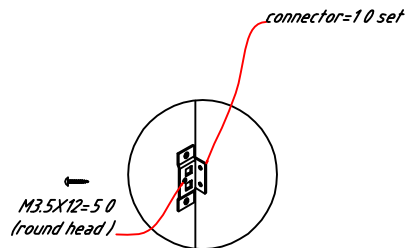
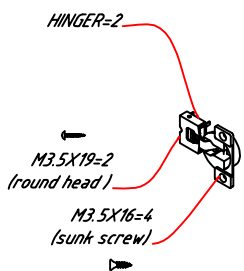


Insert the shelf clips then put G in

STEP 5



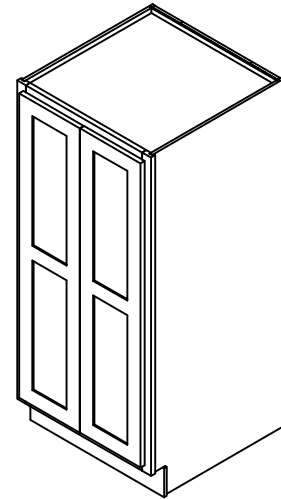
Attach H as illustrated  
Attach cushion stickers



# UT245124~UT365124 2 DOOR S

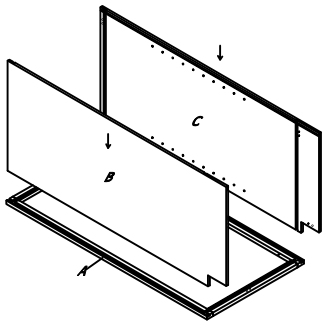
# UT245424~UT365424

## Step-by-Step Assembly Instructions



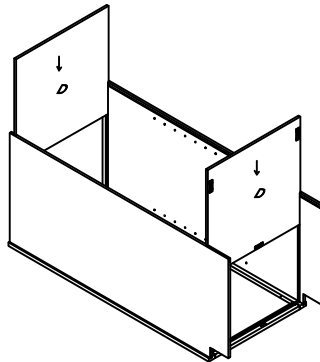
CODE	ITEM	QTY
A	FRONT FACE	1SET
B	RIGHT SIDE PANEL	1PC
C	LEFT SIDE PANEL	1PC
D	TOP/BOTTOM PANEL	2PCS
E	BACK PANEL	1PC
F	TOE KICK PLATE	1PC
G	ADJUSTABLE SHELF	3PCS
H	DOOR PANEL	2PCS

STEP 1



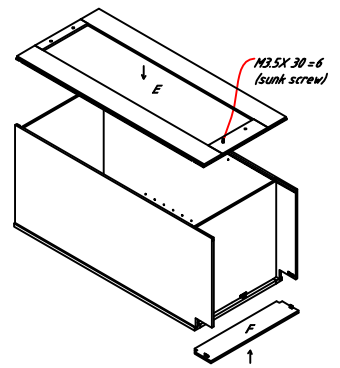
Lay A flat, grooves facing upward  
Insert B & C into metal clips of A

STEP 2



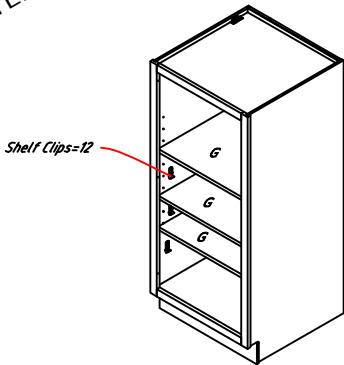
Slide D into grooves of A, B, & C

STEP 3



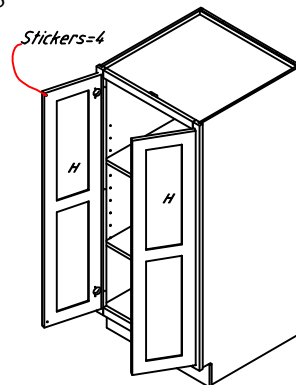
Attach E onto B & C with metal clips  
Attach F onto bottom of B & C with metal clips

STEP 4

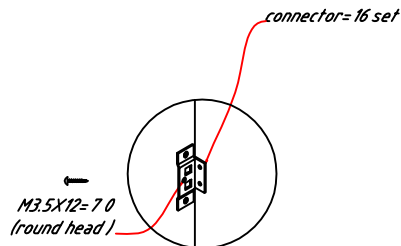
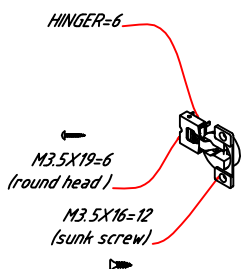


Insert the shelf clips then put G in

STEP 5



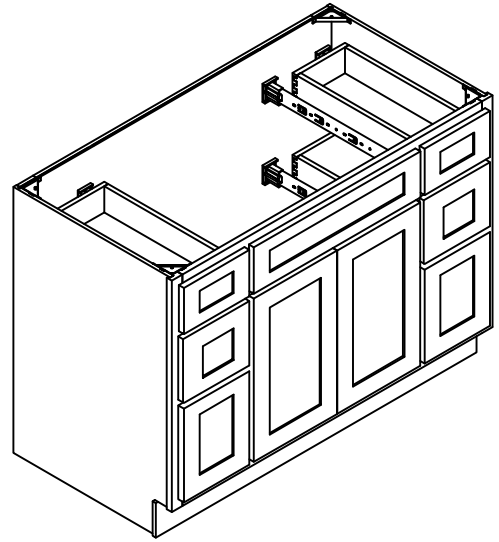
Attach H as illustrated  
Attach cushion stickers



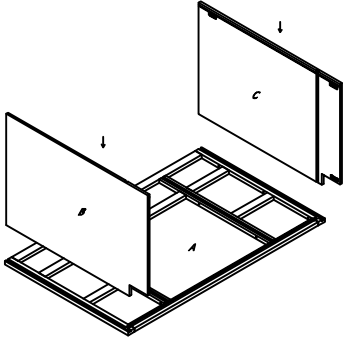
# VSDB48 2 DOORS, 1 DRAWER FRONT, 6 DRAWERS

## Step-by-Step Assembly Instructions

CODE	ITEM	QTY
A	FRONT FACE	1SET
B	RIGHT SIDE PANEL	1PC
C	LEFT SIDE PANEL	1PC
D	BOTTOM PANEL	1PC
E	BACK PANEL	1PC
F	TOE KICK PLATE	1PC
H	DOOR PANEL	2PCS
J	DRAWER	6SET
G	DRAWER FRONT	1SET

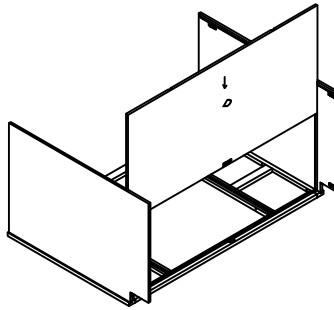


STEP 1



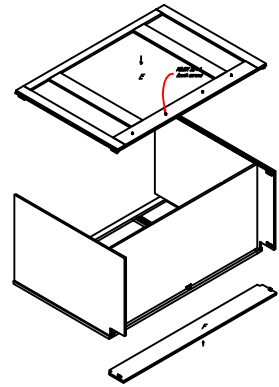
Lay A flat, grooves facing upward  
Insert B & C into metal clips of A

STEP 2



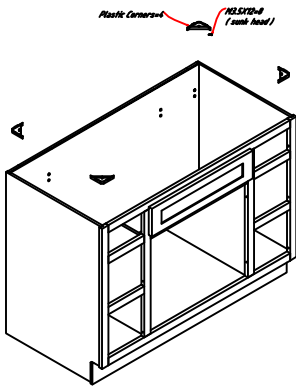
Slide D into grooves of A, B, & C

STEP 3



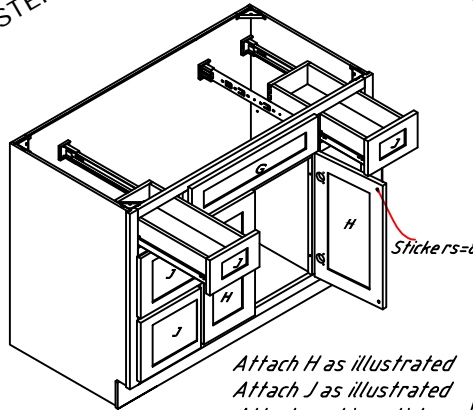
Slide G into grooves of A  
Attach E onto B & C with metal clips  
Attach F onto bottom of B & C with metal clips

STEP 4

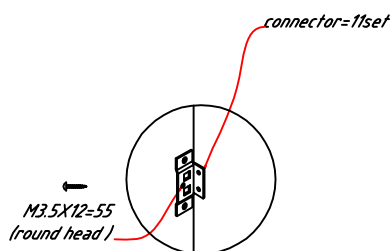
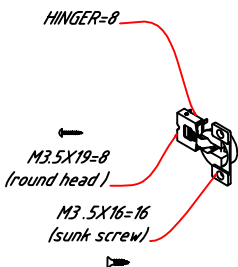
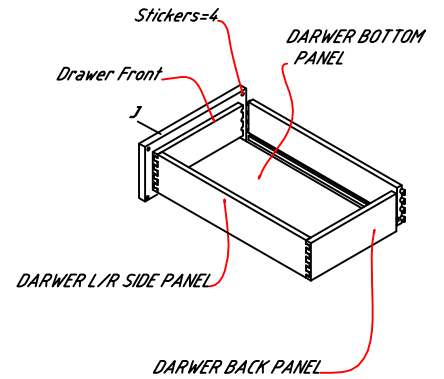


Attach plastic brackets into corners of A & B & C & E with sunk head screws

STEP 5



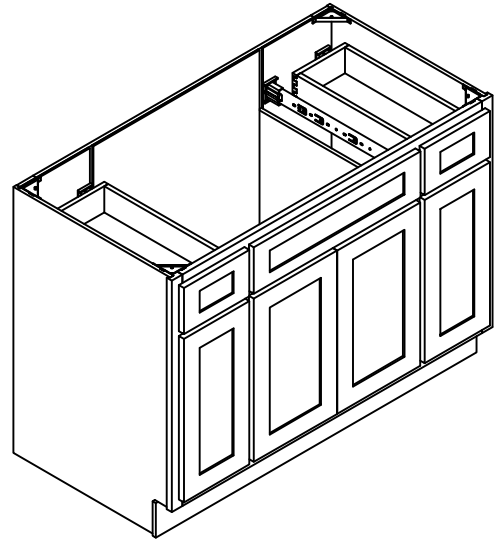
Attach H as illustrated  
Attach J as illustrated  
Attach cushion stickers



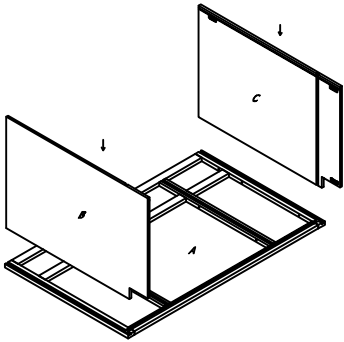
# VSBC48 4 DOORS, 1 DRAWER FRONT, 2 DRAWERS

## Step-by-Step Assembly Instructions

CODE	ITEM	QTY
A	FRONT FACE	1SET
B	RIGHT SIDE PANEL	1PC
C	LEFT SIDE PANEL	1PC
D	BOTTOM PANEL	1PC
E	BACK PANEL	1PC
F	TOE KICK PLATE	1PC
G	DASH PLATE	2PCS
H	DOOR PANEL	4PCS
J	DRAWER	2SET

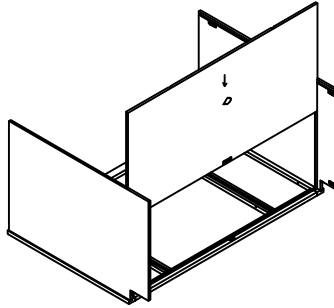


STEP 1



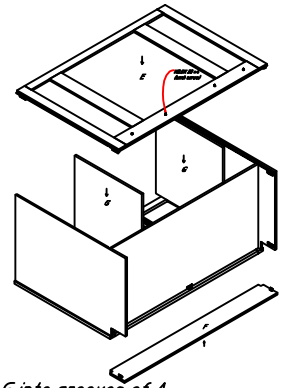
Lay A flat, grooves facing upward  
Insert B & C into metal clips of A

STEP 2



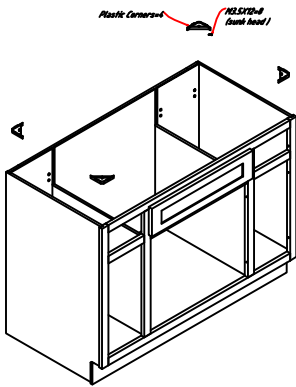
Slide D into grooves of A, B, & C

STEP 3



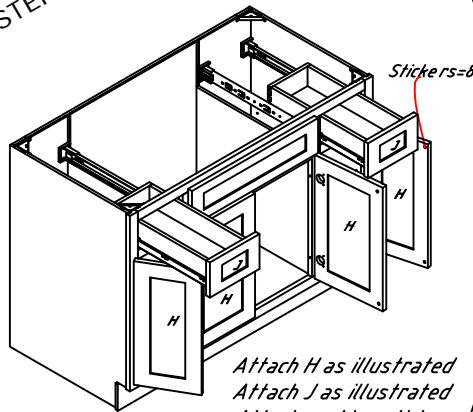
Slide G into grooves of A  
Attach E onto B & C with metal clips  
Attach F onto bottom of B & C with metal clips

STEP 4

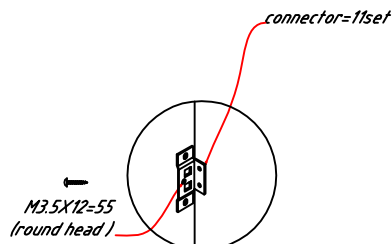
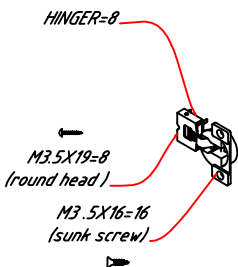
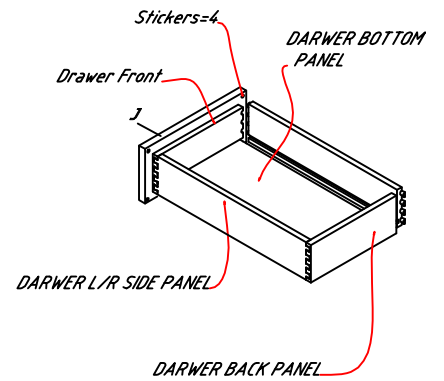


Attach plastic brackets into corners of  
A & B & C & E with sunk head screws

STEP 5



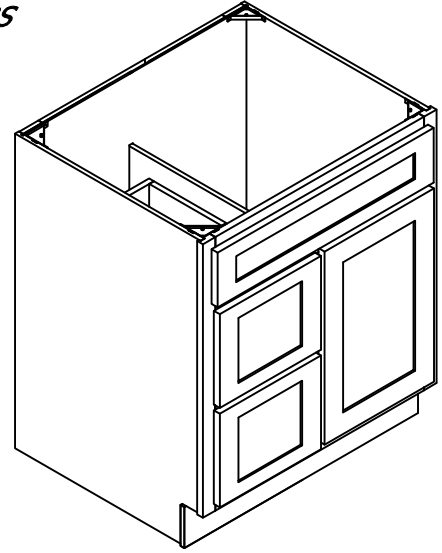
Attach H as illustrated  
Attach J as illustrated  
Attach cushion stickers



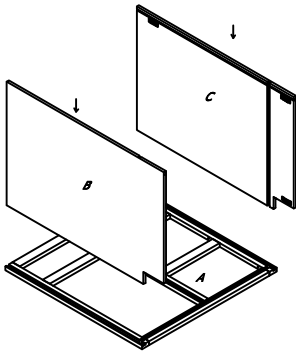
# VC30L/VC30R 1 DOOR, 1 DRAWER FRONT, 2 DRAWERS

## Step-by-Step Assembly Instructions

CODE	ITEM	QTY
A	FRONT FACE	1SET
B	RIGHT SIDE PANEL	1PC
C	LEFT SIDE PANEL	1PC
D	BOTTOM PANEL	1PC
E	BACK PANEL	1PC
F	TOE KICK PLATE	1PC
G	DASH PLATE	1PC
H	DOOR PANEL	1PC
J	DRAWER	2SET

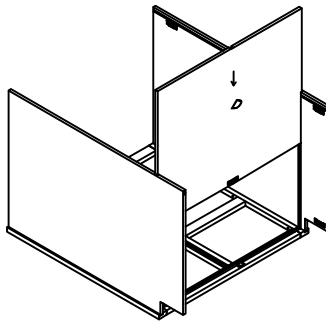


STEP 1



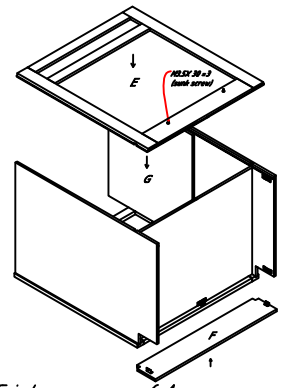
Lay A flat, grooves facing upward  
Insert B & C into metal clips of A

STEP 2



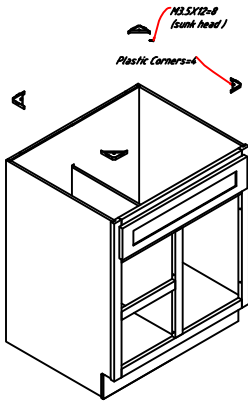
Slide D into grooves of A, B, & C

STEP 3



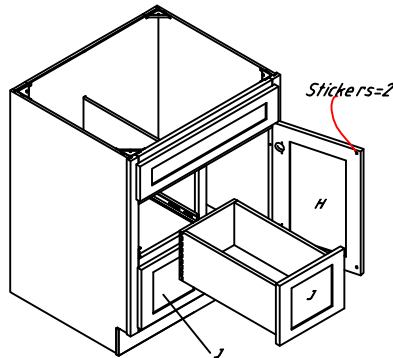
Slide G into grooves of A  
Attach E onto B & C with metal clips  
Attach F onto bottom of B & C with metal clips

STEP 4

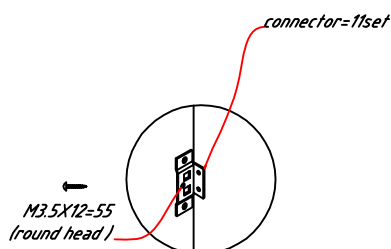
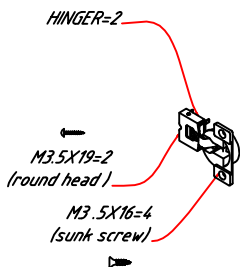
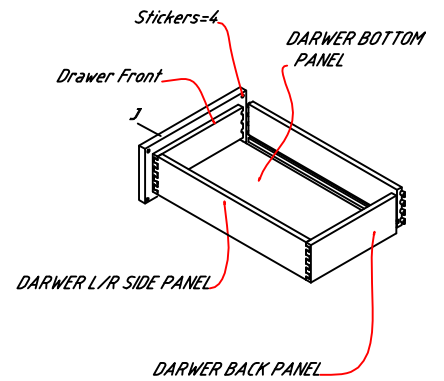


Attach plastic brackets into corners of A & B & C & E with round head screws

STEP 5



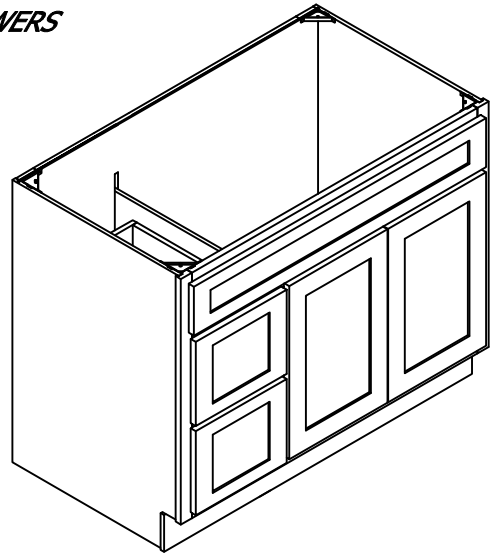
Attach G as illustrated  
Attach H as illustrated  
Attach cushion stickers



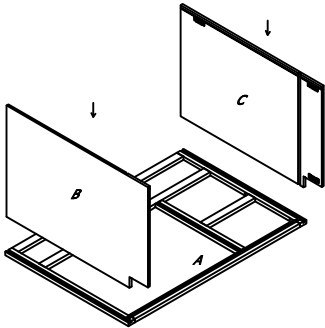
# VC36L/VC36R 2 DOORS, 1 DRAWER FRONT, 2 DRAWERS

## Step-by-Step Assembly Instructions

CODE	ITEM	QTY
A	FRONT FACE	1SET
B	RIGHT SIDE PANEL	1PC
C	LEFT SIDE PANEL	1PC
D	BOTTOM PANEL	1PC
E	BACK PANEL	1PC
F	TOE KICK PLATE	1PC
G	DASH PLATE	1PC
H	DOOR PANEL	2PCS
J	DRAWER	2SET

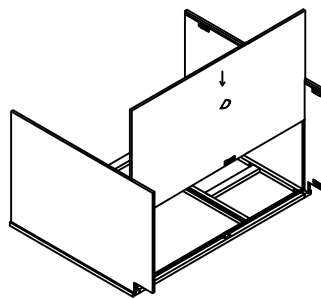


STEP 1



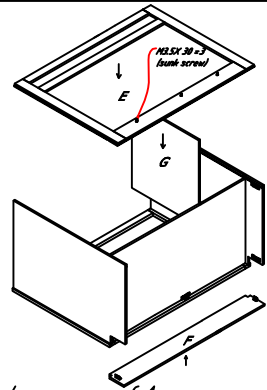
Lay A flat, grooves facing upward  
Insert B & C into metal clips of A

STEP 2



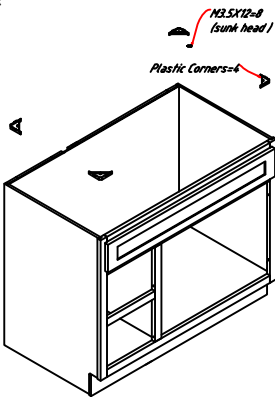
Slide D into grooves of A, B, & C

STEP 3



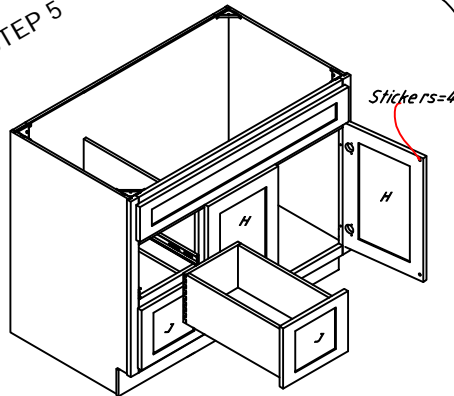
Slide G into grooves of A  
Attach E onto B & C with metal clips  
Attach F onto bottom of B & C with metal clips

STEP 4

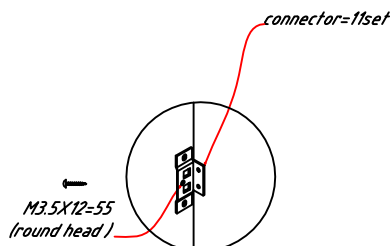
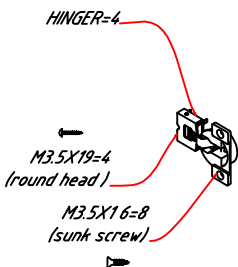
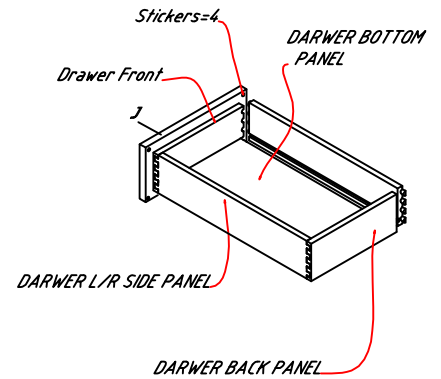


Attach plastic brackets into corners of  
A & B & C & E with sunk head screws

STEP 5



Attach G as illustrated  
Attach H as illustrated  
Attach cushion stickers

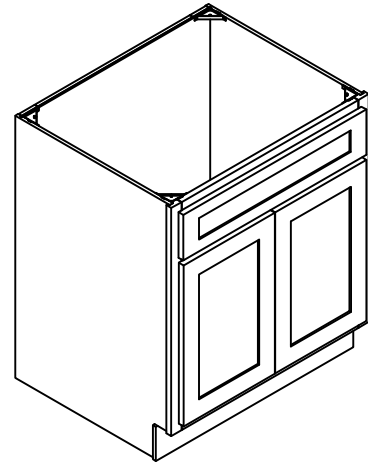




# VSB24/VSB30/VSB36 2 DOOR S, 1 DRAWER FRONT

## SB30/SB33/SB36

### Step-by-Step Assembly Instructions



CODE	ITEM	QTY
A	FRONT FACE	1SET
B	RIGHT SIDE PANEL	1PC
C	LEFT SIDE PANEL	1PC
D	BOTTOM PANEL	1PC
E	BACK PANEL	1PC
F	TOE KICK PLATE	1PC
G	DOOR PANEL	2PCS

**STEP 1**

Lay A flat, grooves facing upward  
Insert B & C into metal clips of A

**STEP 2**

Slide D into grooves of A, B, & C

**STEP 3**

Attach E onto B & C with metal clips  
Attach F onto bottom of B & C with metal clips  
M3.5X 30 = 3 (sunk screw)

**STEP 4**

Plastic Corners=4  
M3.5X12 = 8 (sunk head)

Attach plastic brackets into corners of A & B & C & E with sunk head screws

**STEP 5**

Stickers=4

Attach G as illustrated  
Attach cushion stickers

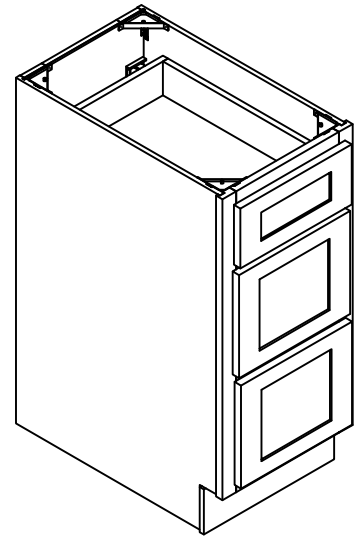
connector=11set  
M3.5X12 = 55 (round head)

HINGER=4  
M3.5X19 = 4 (round head)  
M3.5X16 = 8 (sunk screw)

# DB24/DB27/DB30/DB33/DB36 3 Drawers

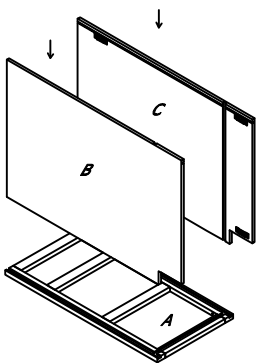
## VDB24/VDB27/VDB30/VDB33/VDB36

### Step-by-Step Assembly Instructions



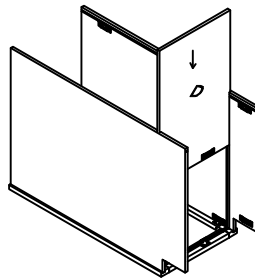
CODE	ITEM	QTY
A	FRONT FACE	1SET
B	RIGHT SIDE PANEL	1PC
C	LEFT SIDE PANEL	1PC
D	BOTTOM PANEL	1PC
E	BACK PANEL	1PC
F	TOE KICK PLATE	1PC
G	DRAWERS	3SET

STEP 1



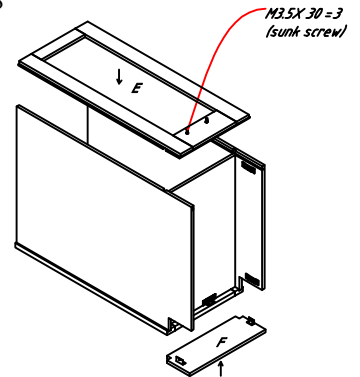
Lay A flat, grooves facing upward  
Insert B & C into metal clips of A

STEP 2



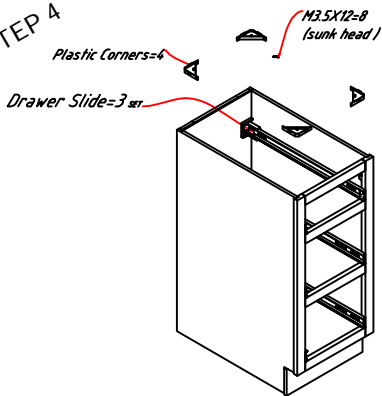
Slide D into grooves of A, B, & C

STEP 3



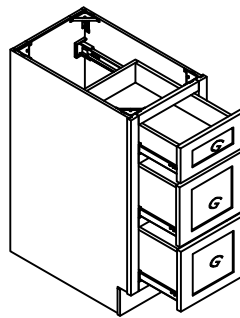
Attach E onto B & C with metal clips  
Attach F onto bottom of B & C with metal clips

STEP 4

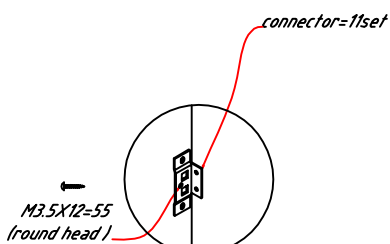
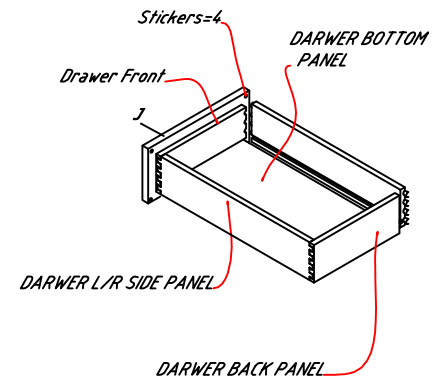


Attach plastic brackets into corners of  
A & B & C & E with sunk head screws

STEP 5



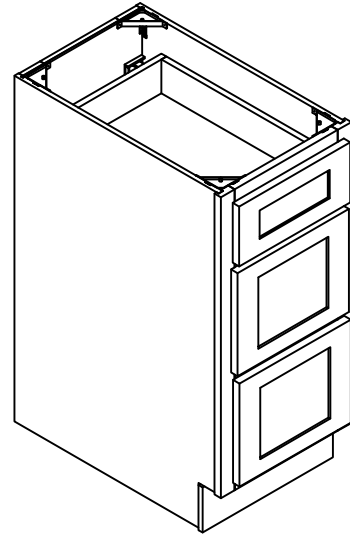
Attach G as illustrated



# DB12/DB15/DB18/DB21 *3 Drawers*

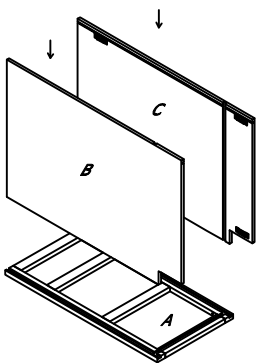
## VDB12/VDB15/VDB18/VDB21

### Step-by-Step Assembly Instructions



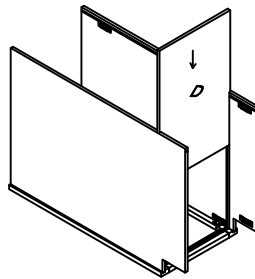
CODE	ITEM	QTY
A	FRONT FACE	1SET
B	RIGHT SIDE PANEL	1PC
C	LEFT SIDE PANEL	1PC
D	BOTTOM PANEL	1PC
E	BACK PANEL	1PC
F	TOE KICK PLATE	1PC
G	DRAWERS	3SET

STEP 1



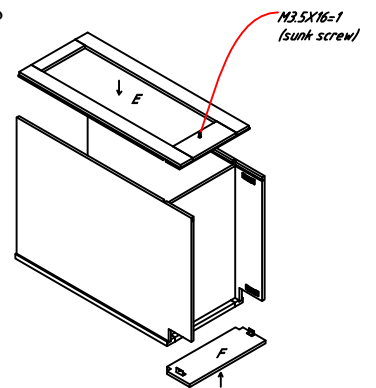
Lay A flat, grooves facing upward  
Insert B & C into metal clips of A

STEP 2



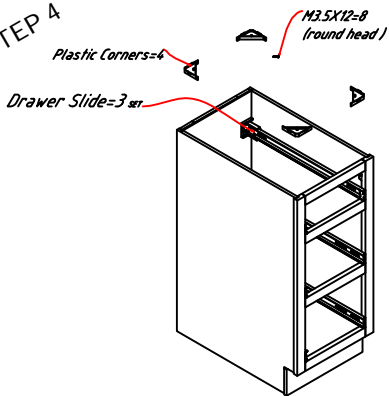
Slide D into grooves of A, B, & C

STEP 3



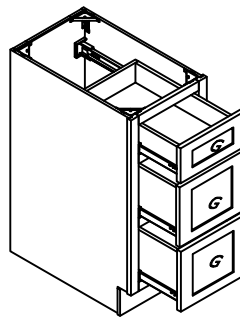
Attach E onto B & C with metal clips  
Attach F onto bottom of B & C with metal clips

STEP 4

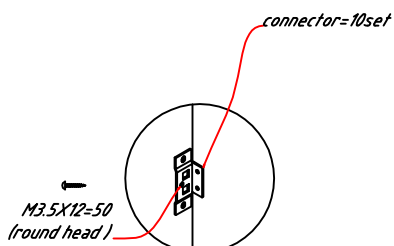
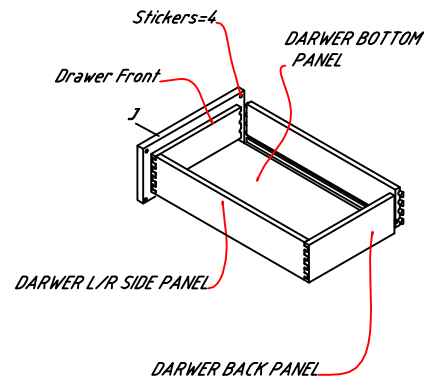


Attach plastic brackets into corners of  
A & B & C & E with sunk head screws

STEP 5



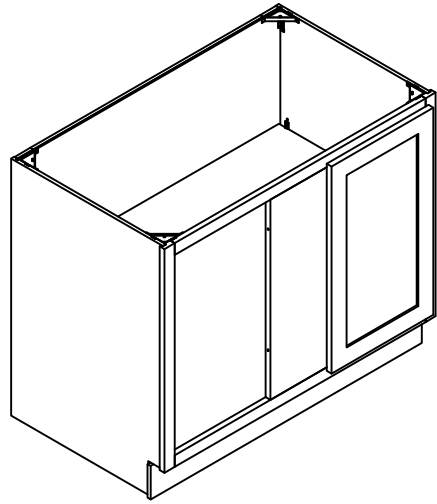
Attach G as illustrated



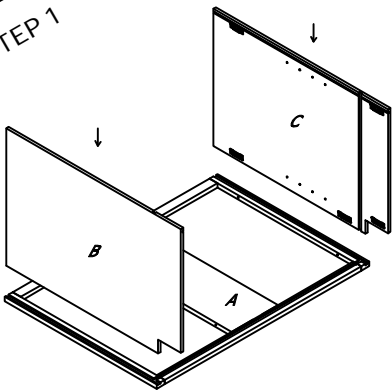
# BBC36/39 BBC39/42 BBC43/48 1 Door

## Step-by-Step Assembly Instructions

CODE	ITEM	QTY
A	FRONT FACE	1SET
B	RIGHT SIDE PANEL	1PC
C	LEFT SIDE PANEL	1PC
D	BOTTOM PANEL	1PC
E	BACK PANEL	1PC
F	TOE KICK PLATE	1PC
G	DASH PLATE	1PC
H	ADJUSTABLE SHELF	1PC
I	DOOR PANEL	1PC

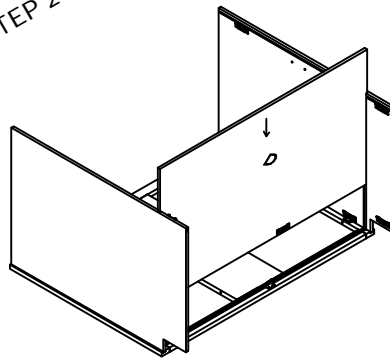


STEP 1



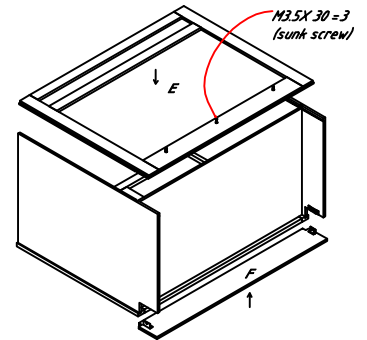
Lay A flat, grooves facing upward  
Insert B & C into metal clips of A

STEP 2



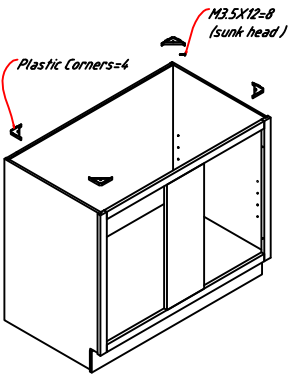
Slide D into grooves A, B, & C

STEP 3



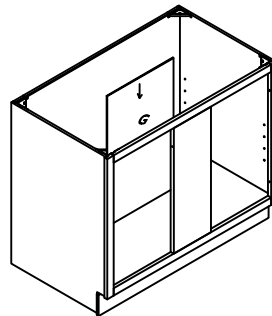
Attach E onto B & C with metal clips  
Attach F onto bottom of B & C with metal clips

STEP 4



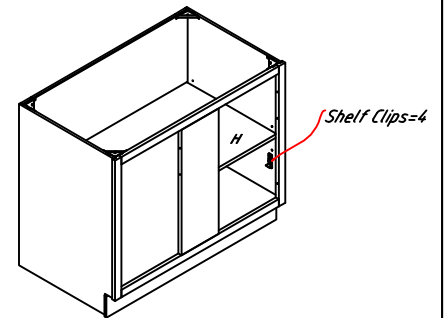
Attach plastic brackets into corners of  
A & B & C & E with sunk head screws

STEP 5



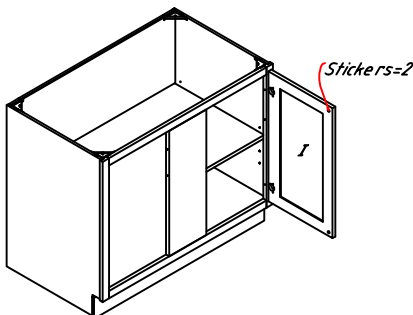
Insert G

STEP 6

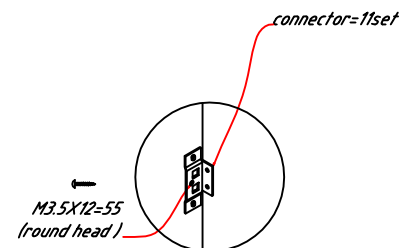
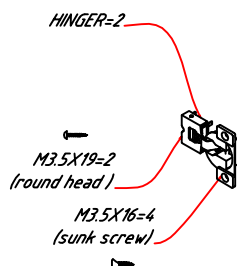


Insert the shelf clips then put H in

STEP 7



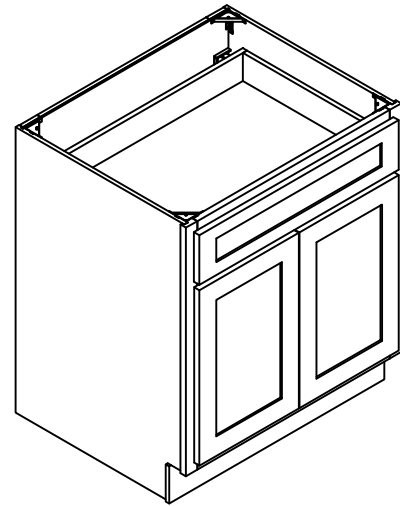
Attach I as illustrated



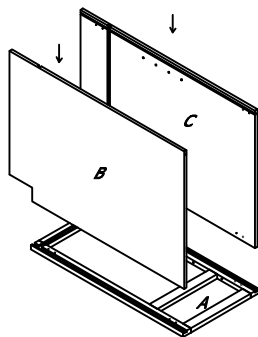
# B24/B27/B30/B33/B36 2 Doors, 1Drawer

## Step-by-Step Assembly Instructions

CODE	ITEM	QTY
A	FRONT FACE	1SET
B	RIGHT SIDE PANEL	1PC
C	LEFT SIDE PANEL	1PC
D	BOTTOM PANEL	1PC
E	BACK PANEL	1PC
F	TOE KICK PLATE	1PC
G	ADJUSTABLE SHELF	1PC
H	DOOR PANEL	2PCS
J	DRAWER	1SET

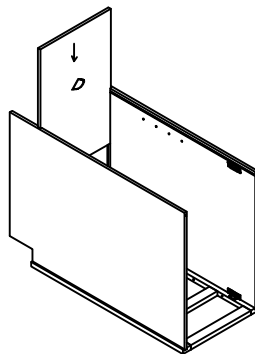


STEP 1



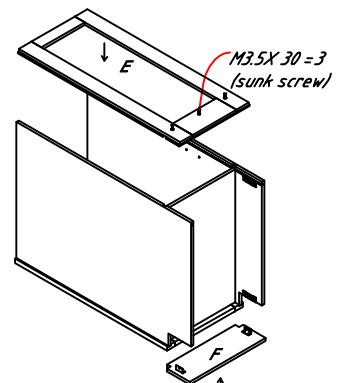
Lay A flat, grooves facing upward  
Insert B & C into metal clips of A

STEP 2



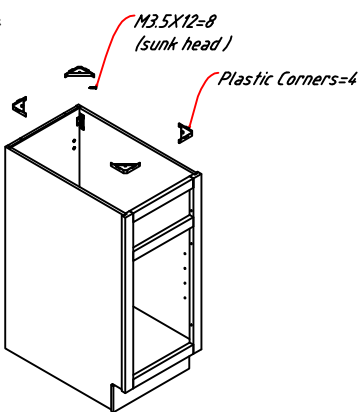
Slide D into grooves A, B, & C

STEP 3



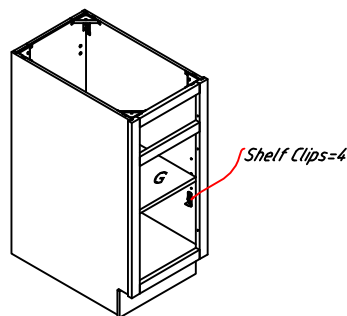
Attach E onto B & C with metal clips  
Attach F onto bottom of B & C with metal clips

STEP 4



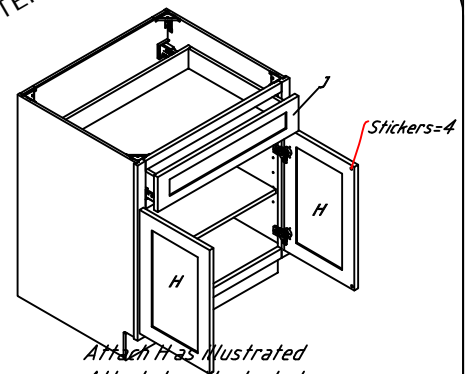
Attach plastic brackets into corners of A & B & C & E with sunk head screws

STEP 5

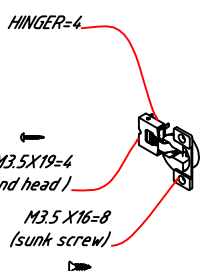


Insert the shelf clips then put G in

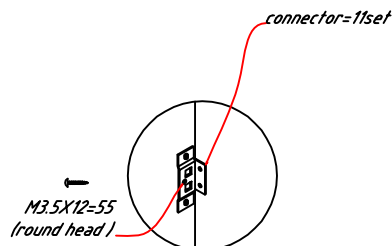
STEP 6



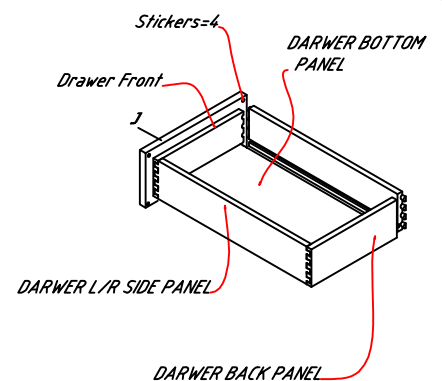
Attach H as illustrated  
Attach J as illustrated  
Attach cushion stickers



HINGER=4  
M3.5X19=4 (round head)  
M3.5X16=8 (sunk screw)



connector=1set  
M3.5X12=55 (round head)



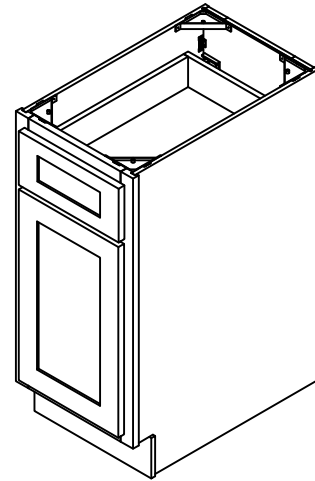
Stickers=4  
Drawer Front  
DARWER L/R SIDE PANEL  
DARWER BACK PANEL

# B12/B15/B18/B21

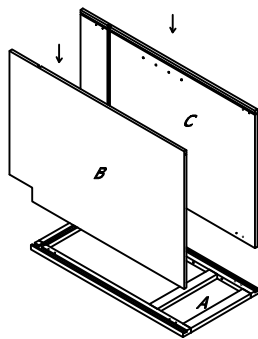
# 1 Door, 1 Drawer

## Step-by-Step Assembly Instructions

CODE	ITEM	QTY
A	FRONT FACE	1SET
B	RIGHT SIDE PANEL	1PC
C	LEFT SIDE PANEL	1PC
D	BOTTOM PANEL	1PC
E	BACK PANEL	1PC
F	TOE KICK PLATE	1PC
G	ADJUSTABLE SHELF	1PC
H	DOOR PANEL	1PC
J	DRAWER	1SET

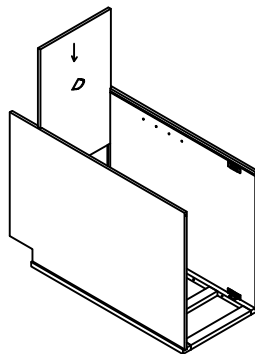


STEP 1



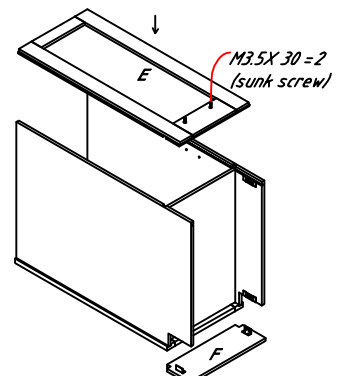
Lay A flat, grooves facing upward  
Insert B & C into metal clips of A

STEP 2



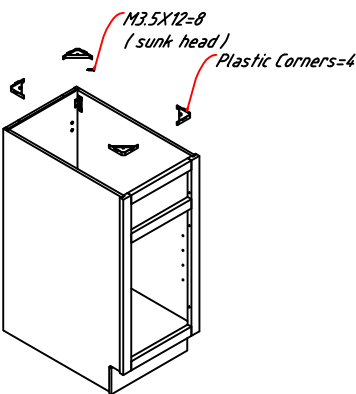
Slide D into grooves A, B, & C

STEP 3



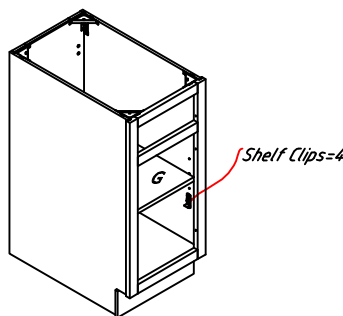
Attach E onto B & C with metal clips  
Attach F onto bottom of B & C with metal clips

STEP 4



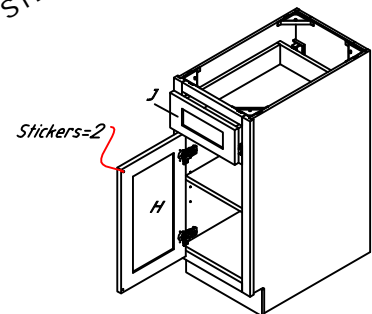
Attach plastic brackets into corners of A & B & C & E with sunk head screws  
Plastic Corners=4

STEP 5

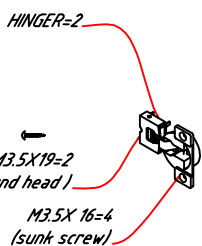


Insert the shelf clips then put G in  
Shelf Clips=4

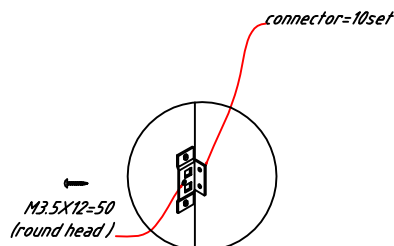
STEP 6



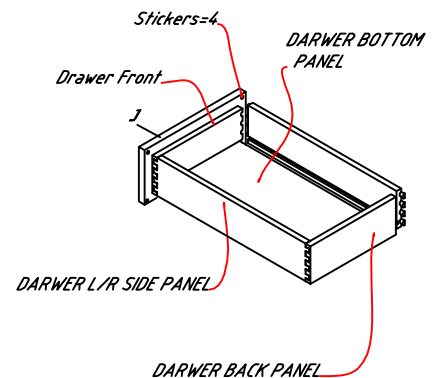
Attach H as illustrated  
Attach J as illustrated  
Attach cushion stickers



HINGER=2  
M3.5X19-2  
(round head)  
M3.5X 16-4  
(sunk screw)



connector=10set  
M3.5X12-50  
(round head)

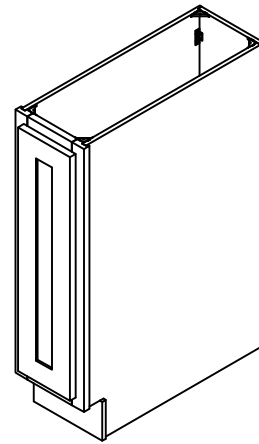


Stickers=4  
Drawer Front  
DRAWER BOTTOM PANEL  
DRAWER L/R SIDE PANEL  
DRAWER BACK PANEL

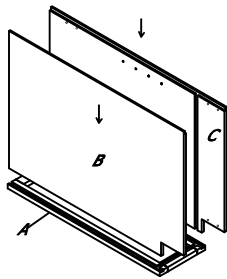
# B09 1 Door

## Step-by-Step Assembly Instructions

CODE	ITEM	QTY
A	FRONT FACE	1SET
B	RIGHT SIDE PANEL	1PC
C	LEFT SIDE PANEL	1PC
D	BOTTOM PANEL	1PC
E	BACK PANEL	1PC
F	TOE KICK PLATE	1PC
G	ADJUSTABLE SHELF	1PC
H	DOOR PANEL	1PC

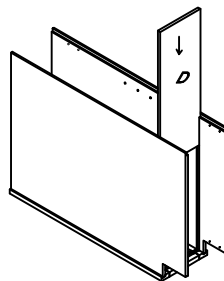


STEP 1



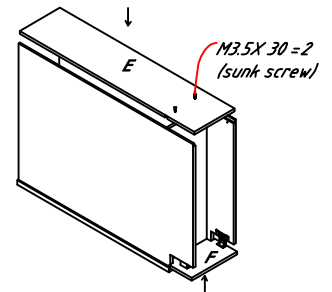
Lay A flat, grooves facing upward  
Insert B & C into metal clips of A

STEP 2



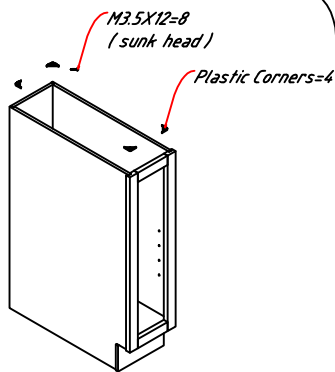
Slide D into grooves A, B, & C

STEP 3



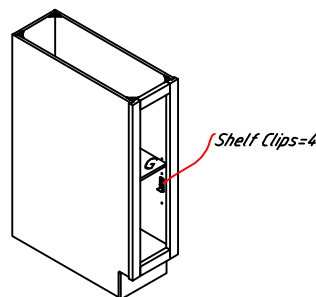
Attach E onto B & C with metal clips  
Attach F onto bottom of B & C with metal clips

STEP 4



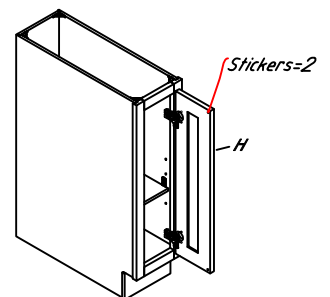
Attach plastic brackets into corners of  
A & B & C & E with sunk head screws

STEP 5



Insert the shelf clips then put G in

STEP 6



Attach H as illustrated  
Attach cushion stickers

